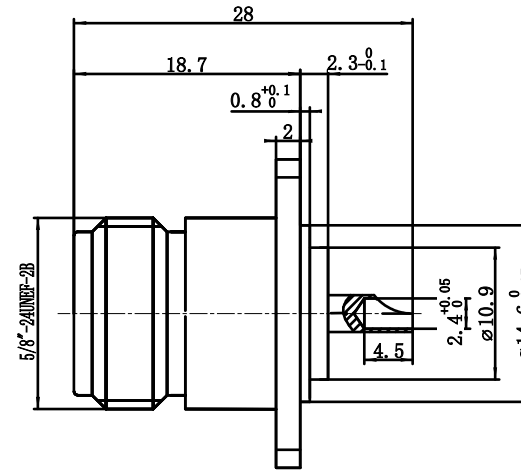
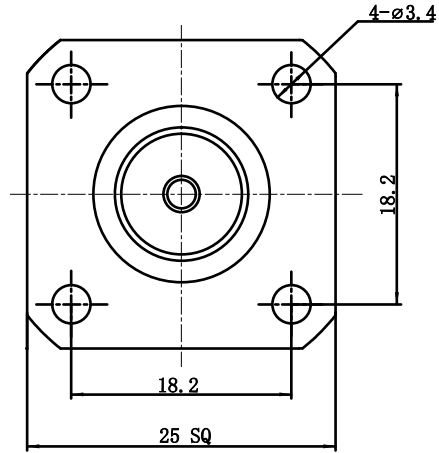


This document contains proprietary information and such information may not be disclosed to others for any purposes, not used for sales/marketing/procurement purposes without written permission

REV	DESCRIPTION OF REVISION	TRL NO.	BY	DATE	APPROVED
A	Initial Release	—	T. Shihua	12/05/22	12/05/22



1 Electrical

- |                                     |                   |
|-------------------------------------|-------------------|
| 1.1 Impedence                       | 50 Ω              |
| 1.2 Frequency                       | DC~2GHz           |
| 1.2 Dielectric withstanding voltage | 1500V (volts RMS) |
| 1.3 Center contact resistance       | ≤ 1M Ω            |
| 1.4 Outer contact resistance        | ≤ 0.2M Ω          |
| 1.5 Insulation resistance:          | ≥5000M Ω          |
| 1.6 VSWR                            | 1.15:1            |

2 Environmental&Mechanical


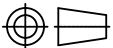
- |                       |             |
|-----------------------|-------------|
| 2.1 Temperature range | -40℃~+125℃  |
| 2.2 RoHs Compliant    |             |
| 2.3 Durability        | >500 cycles |

3 Materials&plating

- |                  |                               |
|------------------|-------------------------------|
| 3.1 Body:        | Brass, Tri-Metal plated       |
| 3.2 Insulator:   | Teflon                        |
| 3,3 Contact Pin: | Beryllium-copper, Gold plated |

Notes:

- ALL SPECIFICATIONS ARE SUBJECT TO CHANGE NOTICE AT ANY TIME
- CUSTOMER OUTLINE DRAWING FOR REFERENCE ONLY

DRAWN : T. Shihua 12/05/22 ENGINEER: C. Tao 12/05/22 APPROVED : W. Qiang 12/05/22	TITLE: RF Coaxial Connector N Female Connector Flange Mounting	 <a href="http://www.rf-connector-china.com">www.rf-connector-china.com</a>  DIMENSION IN MILLIMETERS (mm)
TOLERANCES UNLESS OTHERWISE SPECIFIED X ±0.50 .X ±0.20 .XX ±0.10 ANGLES ±1°	PART NO: N-50KP-C	SIZE: A4 SCALE: N/A SHEET: 1/1 REV: A