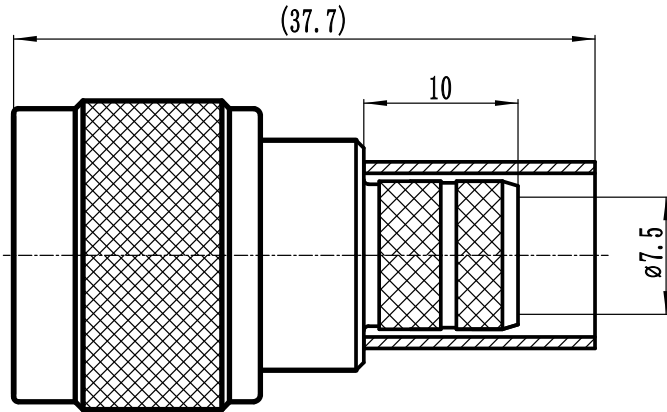


This document contains proprietary information and such information may not be disclosed to others for any purposes, not used for sales/marketing/procurement purposes without written permission

REV	DESCRIPTION OF REVISION	TRL NO.	BY	DATE	APPROVED
A	Initial Release	—	T. Shihua	05/05/2022	05/05/2022

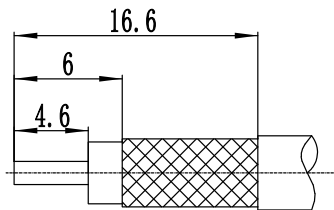


- 1 Electrical
  - 1.1 Impedence 50  $\Omega$
  - 1.2 Frequency 0~6GHz
  - 1.3 VSWR 1.20:1@3GHz

- 2 Environmental&Mechanical
  - 2.1 Temperature range -45 $^{\circ}$ C~125 $^{\circ}$ C
  - 2.2 RoHS Compliant
  - 2.3 Durability >500 cycles



- 3 Materials&plating
  - 3.1 Body Brass, nickel plated
  - 3.2 Insulator Teflon
  - 3.3 Contact Pin Bronze, Gold plated
  - 3.4 Nut Brass, Nickel plated
  - 3.5 Gasket Silicon Rubber ( red color)
  - 3.6 Washer Brass, Nickel plated

Recommended Cable Stripping Dimension



Notes:

- 1. ALL SPECIFICATIONS ARE SUBJECT TO CHANGE NOTICE AT ANY TIME
- 2. CUSTOMER OUTLINE DRAWING FOR REFERENCE ONLY

DRAWN: T. Shihua 05/05/2022 ENGINEER: C. Tao 05/05/2022 APPROVED: W. Qiang 05/05/2022 TOLERANCES UNLESS OTHERWISE SPECIFIED X $\pm 0.50$ .X $\pm 0.20$ .XX $\pm 0.10$ ANGLES $\pm 1^{\circ}$	<b>TITLE</b> RF Coaxial Connector N Male Conn. for LMR400/RG213 Cable Crimp	 <a href="http://www.rf-connector-china.com">www.rf-connector-china.com</a>  DIMENSION IN MILLIMETERS (mm)		
PART NO: N-J400YA-2	SIZE: A4	SCALE: 4:1	SHEET: 1/1	REV: VA