

This document contains proprietary information and such information may not be disclosed to others for any purposes,
not used for sales/marketing/procurement purposes without written permission

REV	DESCRIPTION OF REVISION	ECN NO.	BY	DATE	APPROVED
A	Initial Release	—	T. Haiyun	17/03/15	17/03/15

1 Electrical 电气性能

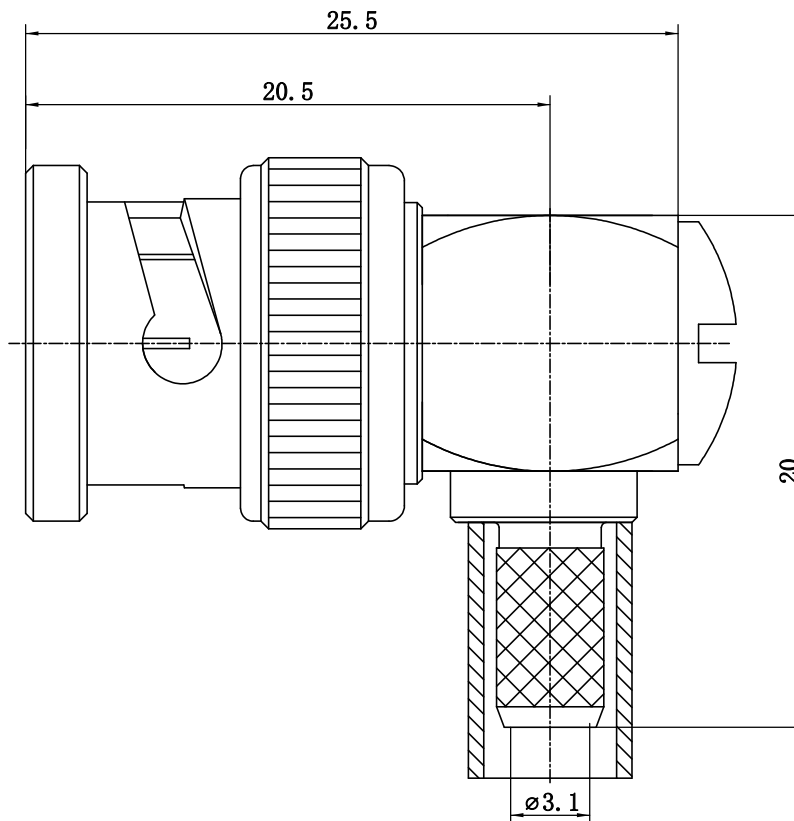
- 1.1 Impedance 特性阻抗: 50 Ω
- 1.2 Frequency 频率范围: DC~4GHz
- 1.3 VSWR 电压驻波比: ≤1.25
- 1.4 Insulation resistance 绝缘电阻: ≥5000MΩ
- 1.5 Dielectric withstanding voltage 介质耐压: 1500V
- 1.6 Center contact 中心导体接触电阻 ≤ 1.5mΩ
- 1.7 Outer contact 外导体接触电阻 ≤ 0.2mΩ

2 Environmental&Mechanical 环境&机械性能

- 2.1 Temperature range 温度范围: -55℃~+125℃
- 2.2 RoHs Compliant 符合RoHs
- 2.3 Durability 寿命: >500 cycles (次)



3 Materials&Finish 材料&涂镀

- 3.1 Body 外壳: Brass, nickel plated 黄铜, 镀镍
- 3.2 Insulator 绝缘介质: Teflon 聚四氟乙烯
- 3.3 Contact Pin 中心导体: Brass Gold plated 黄铜, 镀金
- 3.4 Coupling Nut 卡口螺套: Brass Gold plated 黄铜, 镀金



Notes:

- 1. ALL SPECIFICATIONS ARE SUBJECT TO CHANGE NOTICE AT ANY TIME
- 2. CUSTOMER OUTLINE DRAWING FOR REFERENCE ONLY

DRAWN: T. Haiyun 17/03/15	TITLE:	 www.teruilai.com
ENGINEER: C. Tao 17/03/15	RF Coaxial Connector	
APPROVED: W. Qiang 17/03/15	BNC male Right Angle Conn. for RG58/LMR195/LMR200 Cable Crimp	 DIMENSION IN MILLIMETERS (mm)
TOLERANCES UNLESS OTHERWISE SPECIFIED	PART NO: BNC-JW5Y	
X ±0.50	SIZE: A4	SCALE: N/A
.X ±0.20		SHEET: 1/1
.XX ±0.10		REV: A
ANGLES ±1°		