

This document contains proprietary information and such information may not be disclosed to others for any purposes,  
not used for sales/marketing/procurement purposes without written permission

REV	DESCRIPTION OF REVISION	ECN NO.	BY	DATE	APPROVED
A	Initial Release	—	T. Shihua	12/7/13	12/7/13

**1 Electrical**

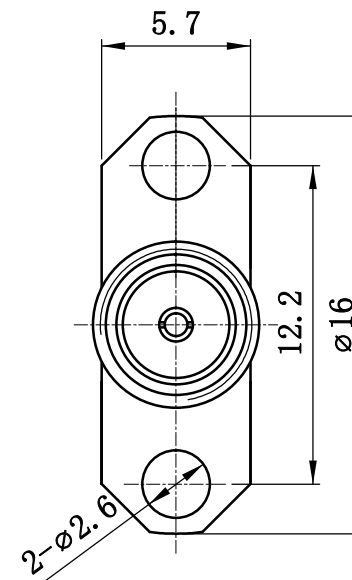
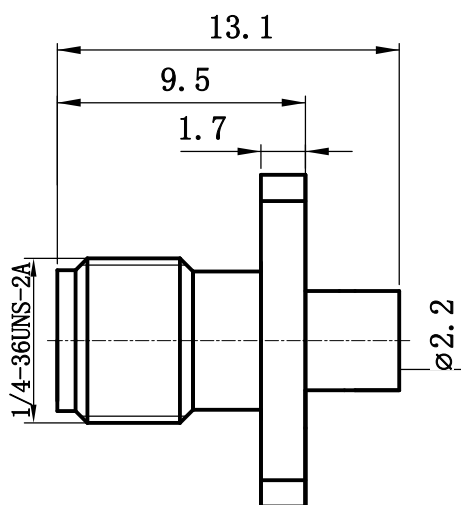
1.1 Impedence	50 Ω
1.2 Frequency	DC-18GHz
1.3 Dielectric withstanding voltage	1000V (volts RMS)
1.4 Center contact resistance	≤ 3MΩ
1.5 Outer contact resistance	≤ 2MΩ
1.6 Insulation resistance:	≥5000MΩ
1.7 VSWR	≤1.30

**2 Environmental&Mechanical**

2.1 Temperature range	-45℃~125℃
2.2 RoHS Compliant	
2.3 Durability	>500 cycles



**3 Materials&plating**

3.1 Body:	Brass, Gold plated
3.2 Insulator:	Teflon
3.3 Contact Pin:	Beryllium Copper Gold plated



**Notes:**

- 1. ALL SPECIFICATIONS ARE SUBJECT TO CHANGE NOTICE AT ANY TIME
- 2. CUSTOMER OUTLINE DRAWING FOR REFERENCE ONLY

DRAWN: T. Shihua 12/07/13 ENGINEER: C. Tao 12/07/13 APPROVED: W. Qiang 12/07/13 TOLERANCES UNLESS OTHERWISE SPECIFIED .X ±0.50 .X ±0.20 .XX ±0.10 ANGLES ±1°	<b>TITLE:</b> RF Coaxial Connector SMA Female flange Conn. For .086/RG405 Cable	 <a href="http://www.rf-connector-china.com">www.rf-connector-china.com</a>  DIMENSION IN MILLIMETERS (mm)		
PART NO: SMA-KFB2-F	SIZE: A4	SCALE: N/A	SHEET: 1/1	REV: A