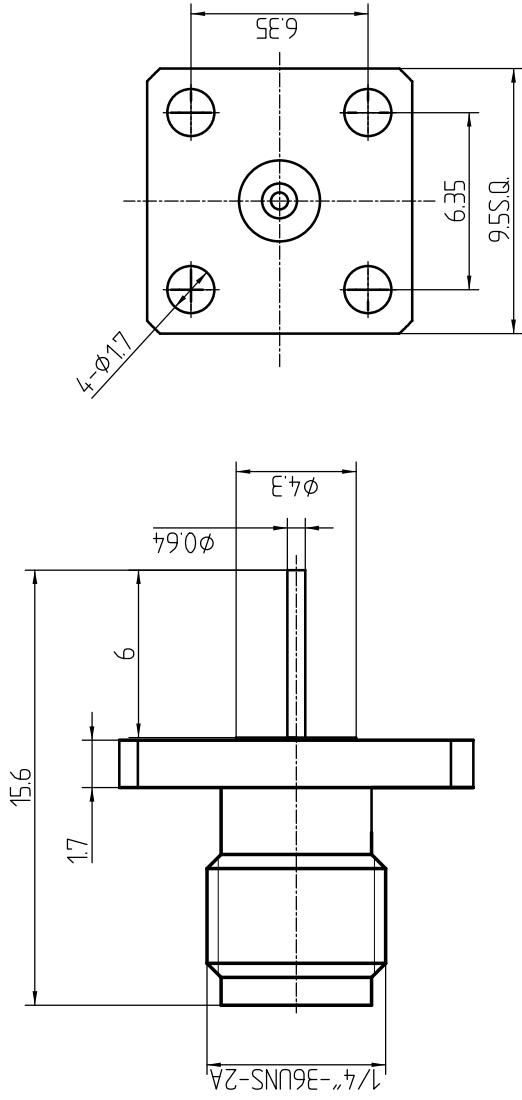


This document contains proprietary information and such information may not be disclosed to others for any purposes, not used for sales/marketing/promocent purposes without written permission

REV	DESCRIPTION OF REVISION	ECN NO.	BY	DATE	APPROVED
A	Initial Release		T. Shihua	29/8/16	29/8/16



- 1 Electrical 电气性能
 - 1.1 Impedance 特性阻抗: 50 Ω
 - 1.2 Frequency 频率范围: DC~40GHz
 - 1.3 VSWR 电压驻波比: ≤1.25
 - 1.4 Insulation resistance 绝缘电阻: ≥5000MΩ
 - 1.5 Dielectric withstanding voltage 介质耐压: 1000V
- 2 Environmental & Mechanical 环境与机械性能
 - 2.1 Temperature range 温度范围: -55℃~+125℃
 - 2.2 RoHS Compliant 符合RoHS
 - 2.3 Durability 寿命: >500 cycles (次)
- 3 Materials & Finish 材料及涂镀
 - 3.1 Body 外壳: Stainless Steel, Passivated 不锈钢, 钝化
 - 3.2 Insulator 绝缘介质: PEI
 - 3.3 Contact Pin 中心导体: Beryllium-Copper, Gold plated 铍青铜, 镀金

Notes:

1. ALL SPECIFICATIONS ARE SUBJECT TO CHANGE NOTICE AT ANY TIME
2. CUSTOMER OUTLINE DRAWING FOR REFERENCE ONLY

DRAWN: T. Shihua 29/8/16	TITLE: RF Coaxial Connector	www.rf-connector-china.com
ENGINEER: C. Tao 29/8/16	2.92mm Female Connector Terminal	
APPROVED: W. Qiang 29/8/16		
TOLERANCES UNLESS OTHERWISE SPECIFIED X ±0.50 .X ±0.20 .XX ±0.10 ANGLES °R		
		DIMENSION IN MILLIMETERS (mm)
		SCALE: N/A
		SHEET: 1/1
		REV: A