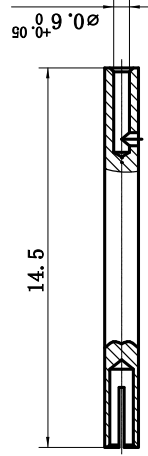
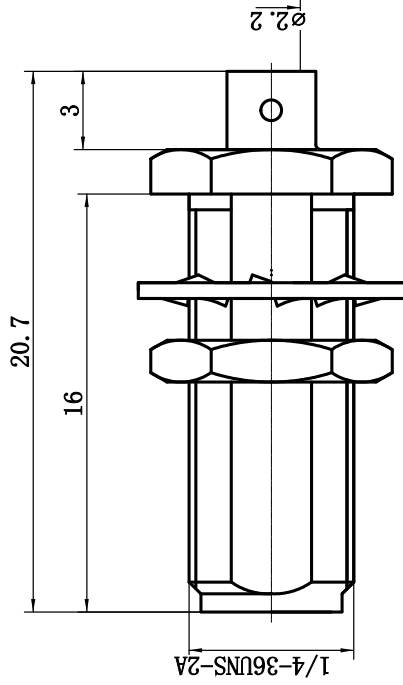


This document contains proprietary information and such information may not be disclosed to others for any purposes, not used for sales/marketing/procurement purposes without written permission

- 1 Electrical
 - 1.1 Impedance 50 Ω
 - 1.2 Frequency 0~6GHz
 - 1.3 Dielectric withstanding voltage 1000V (volts RMS)
 - 1.4 Center contact resistance ≤ 3M Ω
 - 1.5 Outer contact resistance ≤ 2M Ω
 - 1.6 Insulation resistance ≥ 5000M Ω
 - 1.7 VSWR 1.20:1

- 2 Environmental & Mechanical
 - 2.1 Temperature range -45°C ~ 125°C
 - 2.2 RoHS Compliant
 - 2.3 Durability > 500 cycles

- 3 Materials & Finish
 - 3.1 Body: Brass, Gold Plated
 - 3.2 Insulator: Teflon
 - 3.3 Contact Pin: Beryllium Copper Gold plated
 - 3.4 Washer: Bronze, Gold plated
 - 3.5 Hex Nut: Brass, Gold plated



Notes:

- 1. ALL SPECIFICATIONS ARE SUBJECT TO CHANGE NOTICE AT ANY TIME
- 2. CUSTOMER OUTLINE DRAWING FOR REFERENCE ONLY

REV	DESCRIPTION OF REVISION	ECN NO.	BY	DATE	APPROVED
A	Initial Release		T. Shihua	14/9/13	14/9/13

DRAWN : T. Shihua 14/9/13		TITLE:	
ENGINEER: C. Tao 14/9/13	RF Coaxial Connector		
APPROVED : W. Qiang 14/9/13	SMA Female bulkhead Conn.	www.rfconnector-china.com	
TOLERANCES UNLESS OTHERWISE SPECIFIED			
X	±0.50	DIMENSION IN MILLIMETERS (mm)	
.X	±0.20	RF: A	
.XX	±0.10	SCALE: N/A	
ANGLES	±1°	SIZE: A4	
PART NO: SMA-FW20		SHEET: 1/1	