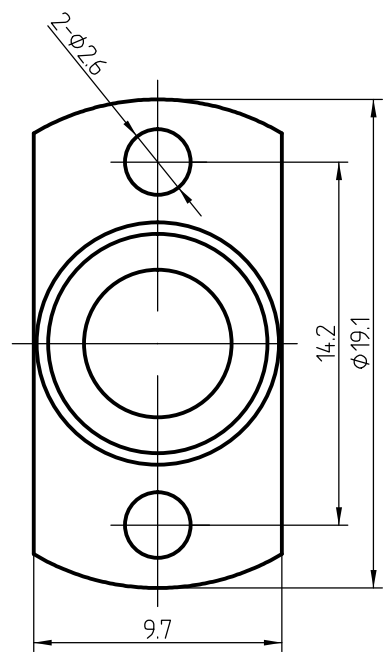
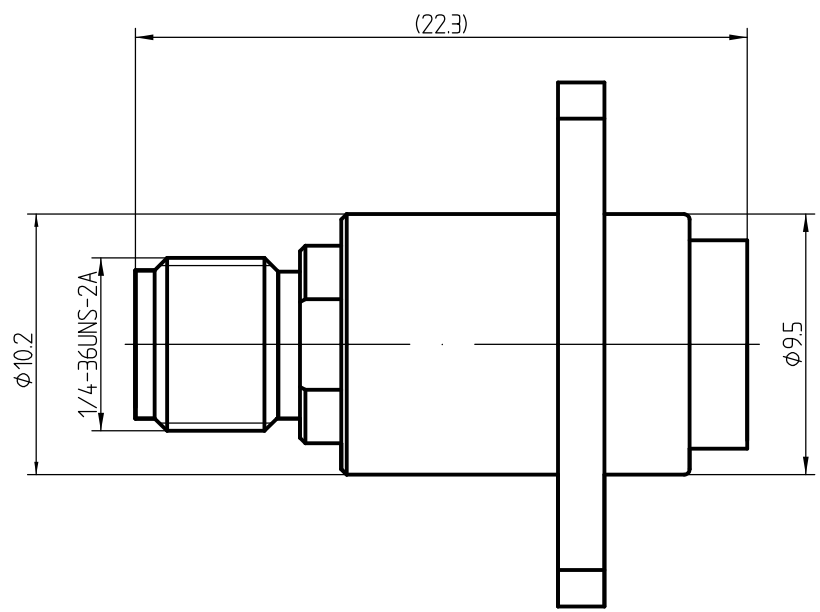


This document contains proprietary information and such information may not be disclosed to others for any purposes, not used for sales/marketing/procurement purposes without written permission


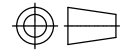
REV	DESCRIPTION OF REVISION	ECN NO.	BY	DATE	APPROVED
A	Initial Release	—	T. Haiyun	23/5/14	23/5/14



- 1 Electrical**
- 1.1 Impedence: 50 Ω
 - 1.2 Frequency: DC~18GHz
 - 1.3 Dielectric withstanding voltage: 750V(volts RMS)
 - 1.4 Center contact resistance: ≤ 3MΩ
 - 1.5 Outer contact resistance: ≤ 2MΩ
 - 1.6 Insulation resistance: ≥5000MΩ
 - 1.7 VSWR: 1.3 max
- 2 Environmental&Mechanical**
- 2.1 Temperature range: -40℃~+85℃
 - 2.2 RoHS Compliant
 - 2.3 Durability: >500 cycles
- 3 Materials&plating**
- 3.1 Body: Brass; gold plated
 - 3.2 Insulator: Teflon
 - 3.3 Contact Pin: Beryllium-copper, gold plated
 - 3.4 Nut: Brass, gold Plated

Notes:

- ALL SPECIFICATIONS ARE SUBJECT TO CHANGE NOTICE AT ANY TIME
- CUSTOMER OUTLINE DRAWING FOR REFERENCE ONLY

DRAWN: T. Haiyun 25/5/14	TITLE: RF Adaptor BMA Female flange to SMA Female Adapter	 www.rf-connector-china.com
ENGINEER: C. Tao 25/5/14		
APPROVED: W. Qiang 25/5/14		
TOLERANCES UNLESS OTHERWISE SPECIFIED		 DIMENSION IN MILLIMETERS (mm)
X: ±0.50		
X: ±0.20		
.XX: ±0.10		
ANGLES: ±1°		
PART NO: BMA/SMA-KFK	SIZE: A4	SCALE: N/A
	SHEET: 1/1	REV: A