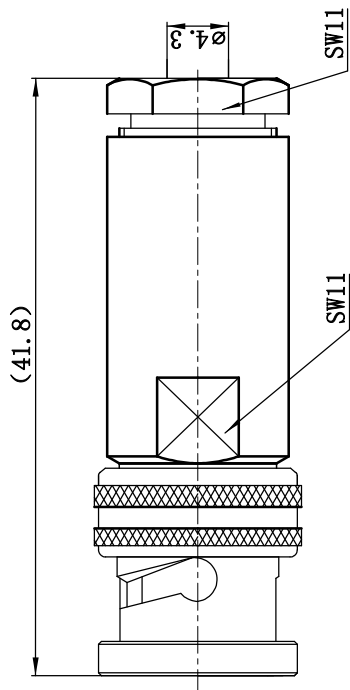
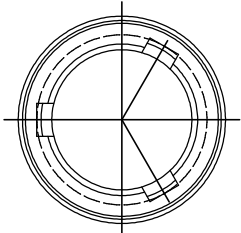


This document contains proprietary information and such information may not be disclosed to others for any purposes, not used for sales/marketing/procurement purposes without written permission

- 1 Electrical 电气性能
 - 1.1 Impedance 特性阻抗: 78Ω
 - 1.2 Frequency 频率范围: DC~500MHz
- 2 Environmental & Mechanical 环境 & 机械性能
 - 2.1 Temperature range 温度范围: -55℃~+125℃
 - 2.2 RoHS Compliant 符合RoHS
 - 2.3 Durability 寿命: >500 cycles (次)
- 3 Materials & Finish 材料 & 涂镀
 - 3.1 Body 外壳: Brass, Suco-plated 黄铜, 镀三元
 - 3.2 Insulator 绝缘介质: Teflon 聚四氟乙烯
 - 3.3 Contact Pin 中心导体: Brass Gold plated 黄铜, 镀金
 - 3.4 Coupling Nut 连接螺母: Brass, Suco-plated 黄铜, 镀三元
- 4 Suitable Cable 适配电缆: TRRG316 TRC50-1



| REV | DESCRIPTION OF REVISION | ECN NO. | BY | DATE | APPROVED |
|-----|-------------------------|---------|----------|----------|----------|
| A | Initial Release | | W.Chang | 18/03/06 | 18/03/06 |
| B | New Release | | T.Haiyun | 18/07/13 | 16/07/13 |

Notes:

1. ALL SPECIFICATIONS ARE SUBJECT TO CHANGE NOTICE AT ANY TIME
2. CUSTOMER OUTLINE DRAWING FOR REFERENCE ONLY

DRAWN: T.Haiyun 16/07/13

ENGINEER: C.Tao 16/07/13

APPROVED: W.Chang 16/07/13

TOLERANCES UNLESS OTHERWISE SPECIFIED
 X ±0.50
 .X ±0.20
 .XX ±0.10
 ANGLES ±1°

TITLE:

RF Coaxial Connector

TRB 3 Slot Male Connector for Cable
 TRRG316/TRC50-1 Cable

PART NO: **TRB-JRG316-A**



DIMENSION IN MILLIMETERS (mm)

SIZE: A4
 SCALE: N/A
 SHEET: 1/1
 REV: B