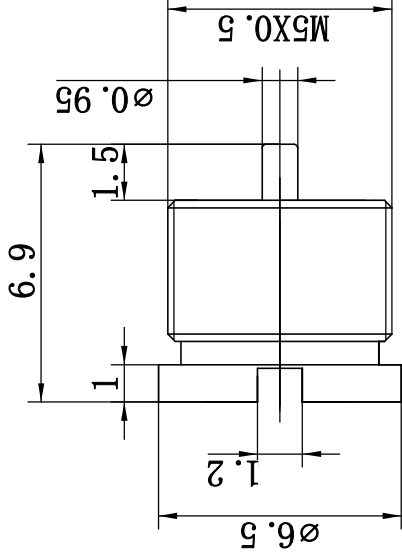


This document contains proprietary information and such information may not be disclosed to others for any purposes, not used for sales/marketing/procurement purposes without written permission

- 1 Electrical电气性能
 - 1.1 Impedance特性阻抗: 50 Ω
 - 1.2 Frequency频率范围: DC~6.0GHz
 - 1.3 VSWR电压驻波比: ≤1.30
 - 1.4 Insulation resistance绝缘电阻: ≥1000MΩ
 - 1.5 Dielectric withstanding voltage介质耐压: 750V
 - 1.6 Center contact中心导体接触电阻 ≤ 5.0mΩ
 - 1.7 Outer contact外导体接触电阻 ≤ 2.5mΩ
- 2 Environmental&Mechanical环境&机械性能
 - 2.1 Temperature range温度范围: -55℃~+125℃
 - 2.2 RoHs Compliant 符合RoHs
 - 2.3 Durability寿命: >500 cycles (次)
- 3 Materials&Finish材料及涂镀
 - 3.1 Body外壳: Brass, Gold plated黄铜, 镀金
 - 3.2 Insulator 绝缘介质: Teflon聚四氟乙烯
 - 3.3 Contact Pin中心导体: Beryllium-Copper, Gold plated 铍青铜, 镀金



Notes:

1. ALL SPECIFICATIONS ARE SUBJECT TO CHANGE NOTICE AT ANY TIME
2. CUSTOMER OUTLINE DRAWING FOR REFERENCE ONLY

REV	DESCRIPTION OF REVISION	ECN NO.	BY	DATE	APPROVED
A	Initial Release		T. Shihua	12/7/06	12/7/06

DRAWN: T. Shihua 12/07/06		TITLE: RF Coaxial Connector		www.teruilai.com	
ENGINEER: C. Tao 12/07/06		MCX Female Str. Conn. PCB Mount		DIMENSION IN MILLIMETERS (mm)	
APPROVED: P. Qiang 12/07/06		PART NO: MCX-RYD-3		SCALE: N/A	
TOLERANCES UNLESS OTHERWISE SPECIFIED		SIZE: A4		SUBSET: 1/1	
X ±0.50		REV: A			
.X ±0.20					
.XX ±0.10					
ANGLES ±1°					