

This document contains proprietary information and such information may not be disclosed to others for any purposes, not used for sales/marketing/procurement purposes without written permission

REV	DESCRIPTION OF REVISION	ECN NO.	BY	DATE	APPROVED
A	Initial Release	—	T. Shihua	12/7/11	12/7/11

1 Electrical

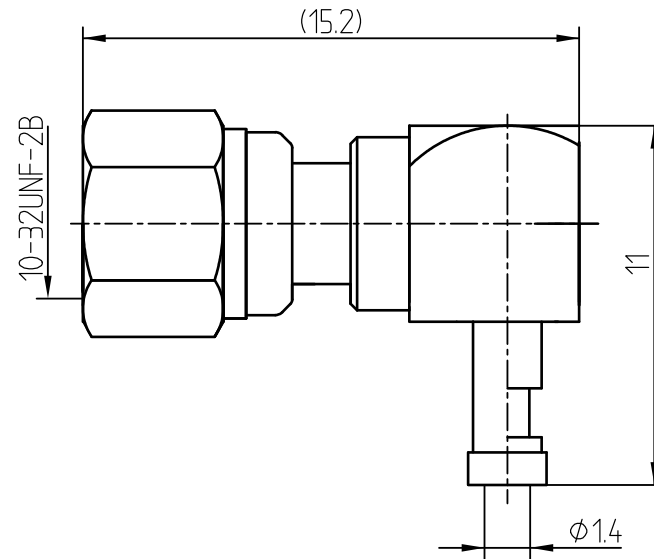
- 1.1 Impedence 50 Ω
- 1.2 Dielectric withstanding voltage 1000V(volts RMS)
- 1.3 Center contact resistance $\leq 3M \Omega$
- 1.4 Outer contact resistance $\leq 2M \Omega$
- 1.5 Insulation resistance: $\geq 5000M \Omega$

2 Environmental&Mechanical

- 2.1 Temperature range -45 $^{\circ}$ C~85 $^{\circ}$ C
- 2.2 RoHs Compliant
- 2.3 Durability >500 cycles



3 Materials&plating

- 3.1 Body: Brass, gold plating
- 3.2 Insulator: Teflon
- 3.3 Contact Pin: Beryllium-copper, gold plating
- 3.4 Ferrule: Copper,nickel plating



Notes:

- 1. ALL SPECIFICATIONS ARE SUBJECT TO CHANGE NOTICE AT ANY TIME
- 2. CUSTOMER OUTLINE DRAWING FOR REFERENCE ONLY

DRAWN : T. Shihua 12/07/11 ENGINEER: C. Tao 12/07/11 APPROVED : W. Qiang 12/07/11 TOLERANCES UNLESS OTHERWISE SPECIFIED X ± 0.50 .X ± 0.20 .XX ± 0.10 ANGLES $\pm 1^{\circ}$	TITLE: RF Coaxial Connector SMC Male R/A Connector For RG1.13mm/1.37mm Cable PART NO: SMC-KW1.13	 www.trl-rf.com  DIMENSION IN MILLIMETERS (mm)	
SIZE: A4	SCALE: N/A	SHEET: 1/1	REV: A