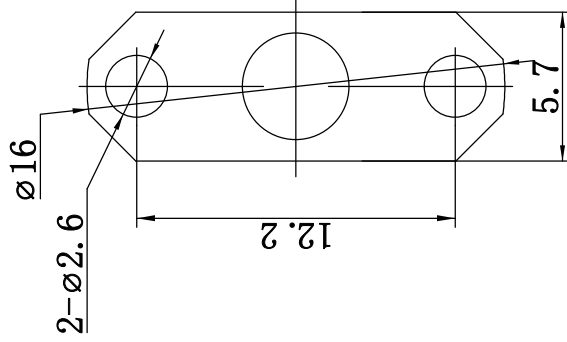
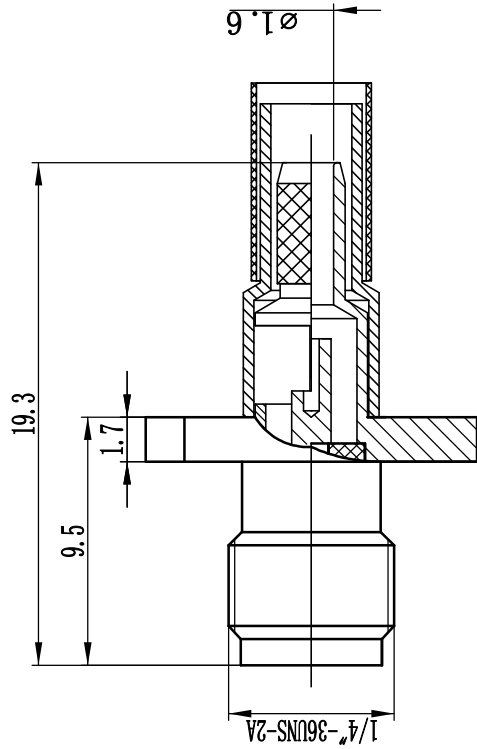


This document contains proprietary information and such information may not be disclosed to others for any purposes, not used for sales/marketing/promocement purposes without written permission

REV	DESCRIPTION OF REVISION	ECN NO.	BY	DATE	APPROVED
A	Initial Release		T. Shihua	12/7/13	12/7/13



- 1 Electrical
  - 1.1 Impedence 50 Ω
  - 1.2 Frequency DC~3GHz
  - 1.2 Dielectric withstanding voltage 1000V (volts RMS)
  - 1.3 Center contact resistance ≤ 3M Ω
  - 1.4 Outer contact resistance ≤ 2M Ω
  - 1.5 Insulation resistance: ≥5000M Ω
  - 1.6 VSWR ≤ 1.30

- 2 Environmental&Mechanical
  - 2.1 Temperature range -45℃~125℃
  - 2.2 RoHs Compliant
  - 2.3 Durability >500 cycles

- 3 Material&plating
  - 3.1 Body: Brass, Gold plated
  - 3.2 Insulator: Teflon
  - 3.3 Contact Pin: Beryllium-Copper, Gold plated

**Notes:**

1. ALL SPECIFICATIONS ARE SUBJECT TO CHANGE NOTICE AT ANY TIME
2. CUSTOMER OUTLINE DRAWING FOR REFERENCE ONLY

DRAWN: T. Shihua 12/07/13

ENGINEER: C. Tao 12/07/13

APPROVED: W. Qiang 12/07/13

TOLERANCES UNLESS OTHERWISE SPECIFIED

X ±0.50

.X ±0.20

.XX ±0.10

ANGLES ±1°

TITLE:  
RF Coaxial Connector

SMA Female flange Conn. For  
RG316 Sky window

PART NO: SMA-RF3CYA



DIMENSION IN MILLIMETERS (mm)

SCALE: N/A

SIZE: A4

SHEET: 1/1

REV: A