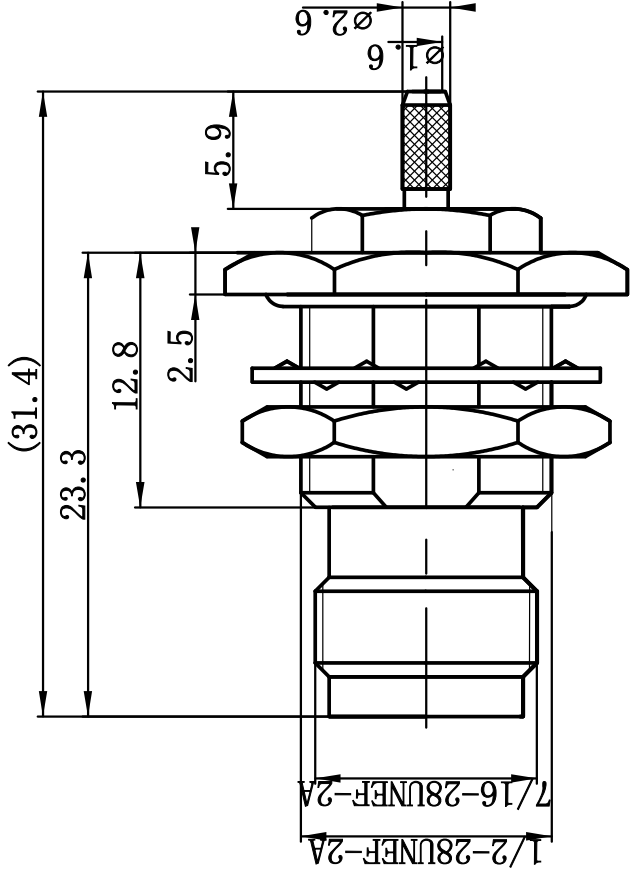
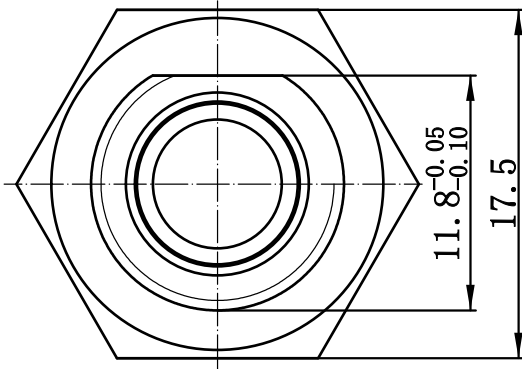
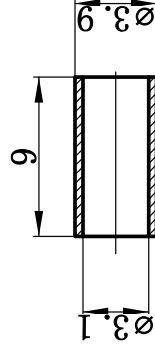


This document contains proprietary information and such information may not be disclosed to others for any purposes, not used for sales/marketing/procurement purposes without written permission

REV	DESCRIPTION OF REVISION	ECN NO.	BY	DATE	APPROVED
A	Initial Release		T.Haiyun	21/05/08	21/05/08





1. Electrical
 - 1.1 Impedence 50 Ω
 - 1.2 Frequency DC~3GHz
 - 1.3 Dielectric withstanding voltage 1500V (volts RMS)
 - 1.4 Center contact resistance ≤ 1.5MΩ
 - 1.5 Outer contact resistance ≤ 0.2MΩ
 - 1.6 Insulation resistance: ≥5000MΩ
2. Environmental&Mechanical
 - 2.1 Temperature range -40℃~+125℃
 - 2.2 RoHS Compliant
 - 2.3 Durability >500 cycles
3. Materials&plating
 - 3.1 Body: Brass; Nickel plated
 - 3.2 Insulator: Teflon
 - 3.3 Contact Pin: Bronze Gold plated
 - 3.4 Nut: Brass, Nickel plated
 - 3.5 Gasket: Silicon Rubber (red color)
 - 3.6 Washer: Brass, Nickel plated



Notes:

1. ALL SPECIFICATIONS ARE SUBJECT TO CHANGE NOTICE AT ANY TIME
2. CUSTOMER OUTLINE DRAWING FOR REFERENCE ONLY

DRAWN : T.Haiyun 21/05/08	RF Connector
ENG NBR: C.Tao 21/05/08	TNC Female Connector for R6316 Cable Octup
APPROVED : W.Chang 21/05/08	
TOLERANCES UNLESS OTHERWISE SPECIFIED	
.X ±0.50	
.X ±0.20	
.XX ±0.10	
ANGLES ±1°	

			
TITLE: RF Connector		DIMENSION IN MILLIMETERS (mm)	
SIZE: A4	SCALE: N/A	SHEET: 1/1	REV: A