

This document contains proprietary information and such information may not be disclosed to others for any purposes,  
not used for sales/marketing/procurement purposes without written permission

REV	DESCRIPTION OF REVISION	ECN NO.	BY	DATE	APPROVED
A	Initial Release	—	T. Shihua	26/8/16	26/8/16

1 Electrical

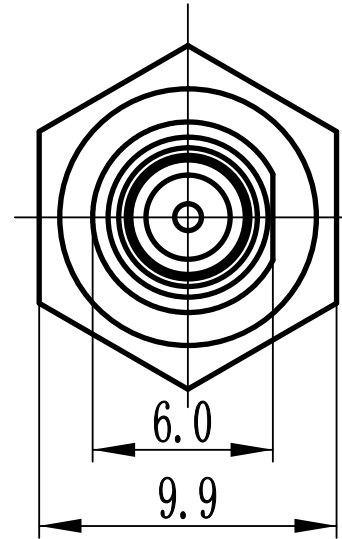
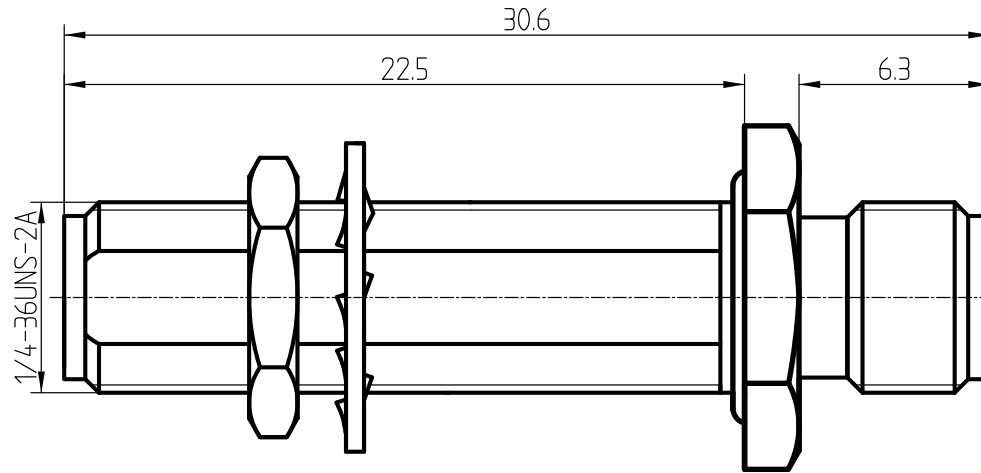
- 1.1 Impedance: 50 Ω
- 1.2 Frequency: DC-6GHz
- 1.3 VSWR: 1.2:1

2 Mechanical&Environmental

- 2.1 Temperature range -45°C ~+85°C
- 2.2 Durability(matings) >500
- 2.3 RoHs Compliant Yes



3 Material&Finish

- 3.1 Pin contact: Beryllium-Copper, gold plated
- 3.2 Body: Brass, gold plated
- 3.3 Insulators: Teflon



Notes:

- 1. ALL SPECIFICATIONS ARE SUBJECT TO CHANGE NOTICE AT ANY TIME
- 2. CUSTOMER OUTLINE DRAWING FOR REFERENCE ONLY

DRAWN : T. Shihua 26/8/16 ENGINEER: C. Tao 26/8/16 APPROVED : W. Qiang 26/8/16 TOLERANCES UNLESS OTHERWISE SPECIFIED X ±0.50 .X ±0.20 .XX ±0.10 ANGLES ±1°	TITLE:  <b>Precision Adapter</b>  SMA Female to SMA Female Bulkhead	 <a href="http://www.trl-rf.com">www.trl-rf.com</a>   DIMENSION IN MILLIMETERS (mm)		
PART NO: <b>SMA-KYKMB</b>	SIZE: <b>A4</b>	SCALE: <b>N/A</b>	SHEET: <b>1/1</b>	REV: <b>A</b>