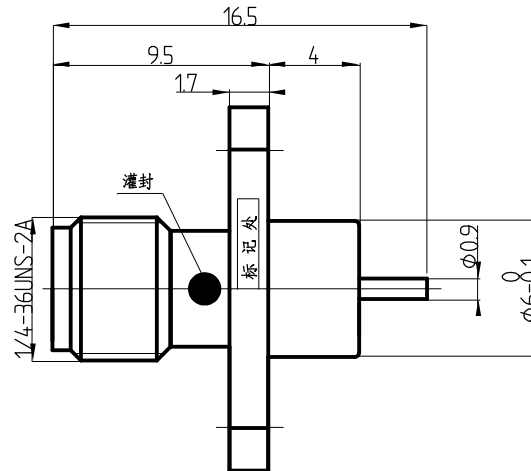
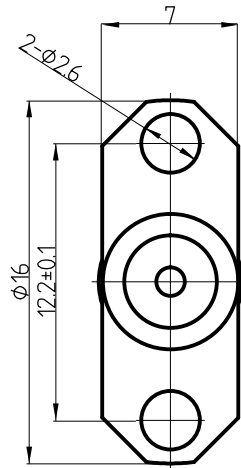


This document contains proprietary information and such information may not be disclosed to others for any purposes, not used for sales/marketing/procurement purposes without written permission

REV	DESCRIPTION OF REVISION	ECN NO.	BY	DATE	APPROVED
A	Initial Release	—	T.HoYun	07/04/16	07/04/16



1 电气性能



- 1.1 特性阻抗 50 Ω
- 1.2 频率 DC ~6GHz
- 1.3 介质耐压 1000V
- 1.4 中心导体电阻 $\leq 3\text{M}\Omega$
- 1.5 外导体电阻 $\leq 2\text{M}\Omega$
- 1.6 绝缘电阻 $\geq 5000\text{M}\Omega$
- 1.7 VSWR ≤ 1.2

2 材料及涂覆

- 2.1 外壳: 黄铜, 镀金
- 2.2 绝缘子: teflon
- 2.3 内导体: 锡青铜, 镀金

Notes:

- 1. ALL SPECIFICATIONS ARE SUBJECT TO CHANGE NOTICE AT ANY TIME
- 2. CUSTOMER OUTLINE DRAWING FOR REFERENCE ONLY

DRAWN: T.HoYun 07/04/16	TITLE:	 www.tri-rf.com
ENGINEER: C.Tao 07/04/16	RF Coaxial Connector	
APPROVED: W.Diang 07/04/16	SMA Female Flange Connector Mount	 DIMENSION IN MILLIMETERS (mm)
TOLERANCES UNLESS OTHERWISE SPECIFIED: X +0.20 XX +0.10 ANGLES °P	PART NO: SMA-KFD19B	SIZE: A4 SCALE: N/A SHEET: 1/1 REV: A