

1

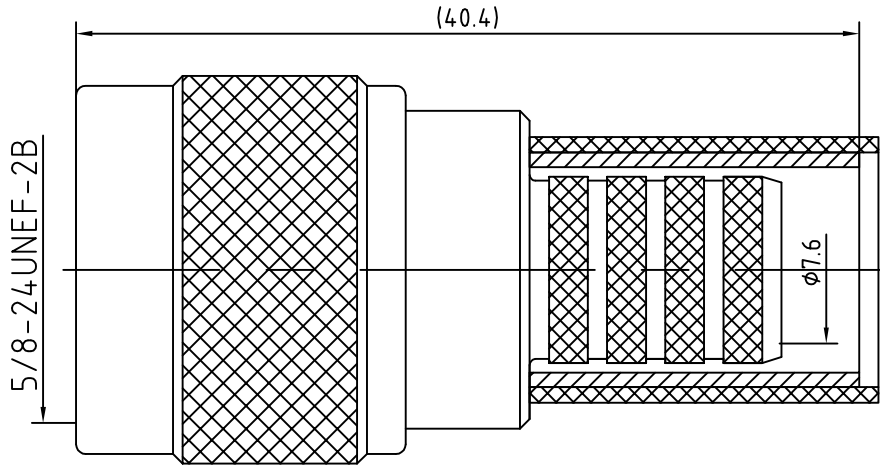
2

3

4

A

A



B

B

## 1 Electrical

- 1.1 Impedance:  $50\Omega$
- 1.2 Frequency: 0-11GHz
- 1.3 Insulation resistance:  $\geq 5000M\Omega$
- 1.4 Dielectric strength: 1500V
- 1.5 Center contact resistance  $\leq 1M\Omega$
- 1.6 Outer contact resistance  $\leq 0.2M\Omega$

C

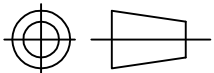
C

## 2 Material&Finish

- 2.1 Inner Contact: Brass, gold plated
- 2.2 Outer Contact: Brass, Nickel plated
- 2.3 Insulators: PTFE
- 2.4 Gasket: SiliCON Rubber (red color)
- 2.5 Ferrule: Copper, nickel plated

D

D



Scale

1:1

N-J213Y

N Male Conn for RG213 Cable

UNLESS OTHERWISE SPECIFIED  
DIMENSIONS ARE mm, TOLERANCES ARE:  
FRACTIONS DECIMALS ANGLES

.X± .15 ±1°  
.XX± .05  
.XXX±

No		Name	Date
1	Designed	Tomson	14-Mar-09
2	Checked	Jason	14-Mar-09
3	Approved	Teresa	14-Mar-09


[www.terulai.com](http://www.terulai.com)