

1

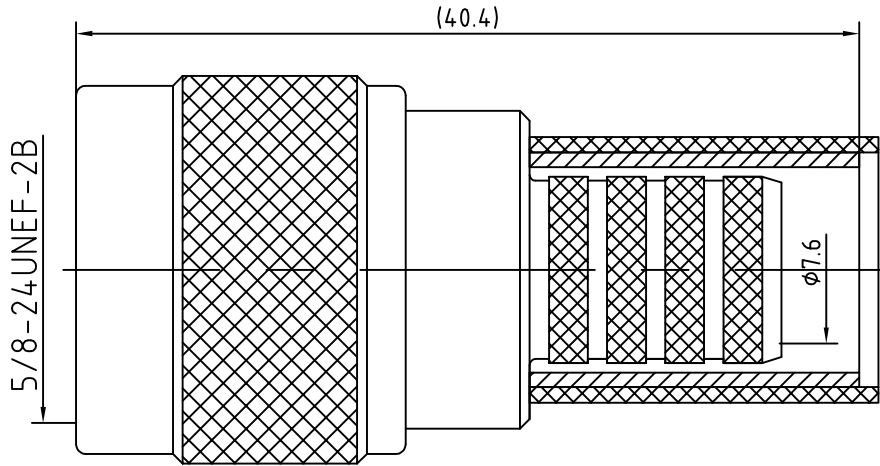
2

3

4

A

A



B

B

1 Electrical

- 1.1 Impedance: 50Ω
- 1.2 Frequency: 0-11GHz
- 1.3 Insulation resistance: $\geq 5000M\Omega$
- 1.4. Dielectric strength: 1500V
- 1.5. Center contact resistance $\leq 1M\Omega$
- 1.6 Outer contact resistance $\leq 0.2M\Omega$

C

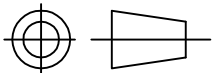
C

2 Material&Finish

- 2.1. Inner Contact: Brass, gold plated
- 2.2 Outer Contact: Brass, Nickel plated
- 2.3. Insulators: PTFE
- 2.4. Gasket: SiliCON Rubber (red color)
- 2.5 Ferrule: Copper, nickel plated

D

D



Scale

1:1

N-J213Y

N Male Conn for RG213 Cable

UNLESS OTHERWISE SPECIFIED
DIMENSIONS ARE mm, TOLERANCES ARE:
FRACTIONS DECIMALS ANGLES

.X± .15 ±1°
.XX± .05
.XXX±

No

Name

Date

1

Designed

Tomson

14-Mar-09

2

Checked

Jason

14-Mar-09

3

Approved

Teresa

14-Mar-09

Xi'an Reach-line Technology Co., Ltd.