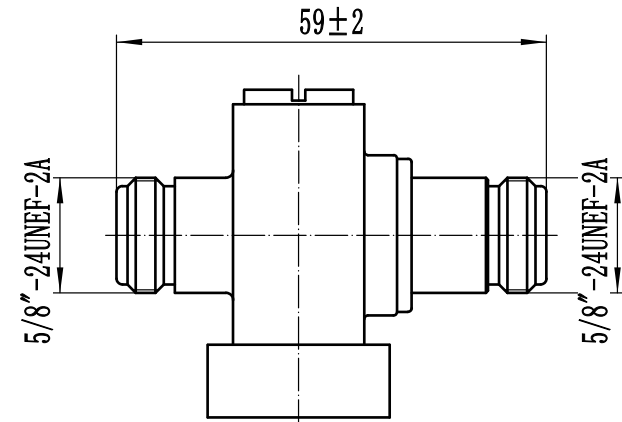
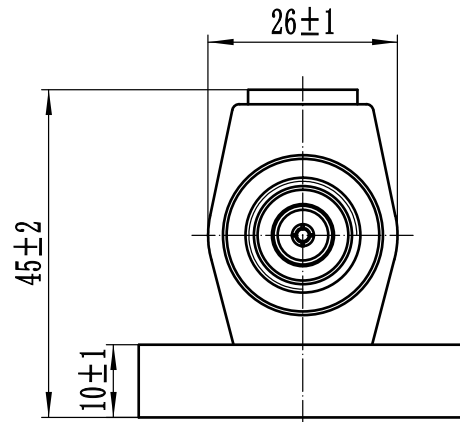


This document contains proprietary information and such information may not be disclosed to others for any purposes, not used for sales/marketing/procurement purposes without written permission

REV	DESCRIPTION OF REVISION	TRL NO.	BY	DATE	APPROVED
A	Initial Release	—	T. Shihua	17/03/2022	17/03/2022

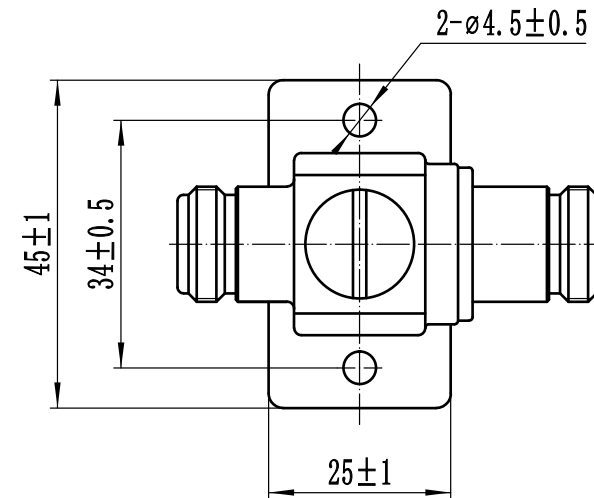


## 1 Electrical

- 1.1 Impedance: 50 Ω
- 1.2 Frequency: 10KHz~54MHz
- 1.3 VSWR: ≤1.20
- 1.4 IR: ≤0.1 dB
- 1.5 Maximum continuous operating voltage: 7V
- 1.6 Protected Mode: Core over the ground
- 1.7 Nominal discharge current  $I_n(8/20 \mu s)$ : 20kA, ±5 time
- 1.8 Maximum discharge current  $I_{max}(8/20 \mu s)$ : 40kA, 1 time
- 1.9 Voltage protection level Up(In down): ≤100V(>1 μs)
- 1.10 level of protection: IP65
- 1.11 Operating temperature: -40°C~+70°C
- 1.12 Storage temperature: -40°C~+85°C



## 2 Materials&Finish

- 2.1 Inner Contact: Phosphor, Gold plated
- 2.2 Body: Brass, Suco plated
- 2.3 Insulators: PTFE



### Notes:

- 1. ALL SPECIFICATIONS ARE SUBJECT TO CHANGE NOTICE AT ANY TIME
- 2. CUSTOMER OUTLINE DRAWING FOR REFERENCE ONLY

DRAWN: T. Shihua 13/05/2022 ENGINEER: C. Tao 13/05/2022 APPROVED: W. Qiang 13/05/2022 TOLERANCES UNLESS OTHERWISE SPECIFIED X ±0.50 .X ±0.20 .XX ±0.10 ANGLES ±1°	<b>TITLE</b>  Lightning Arrester  N Female to N Female  PART NO: BLQ-N-KK	 <a href="http://www.rf-connector-china.com">www.rf-connector-china.com</a>   DIMENSION IN MILLIMETERS (mm)		
	SIZE: A4	SCALE: 1:1	SHEET: 1/1	REV: VA