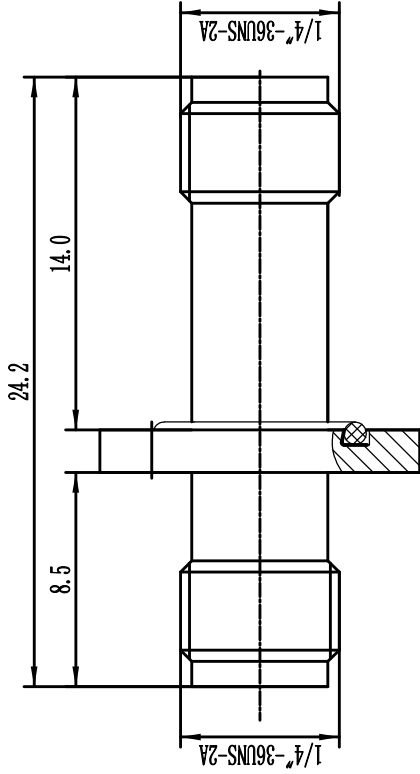
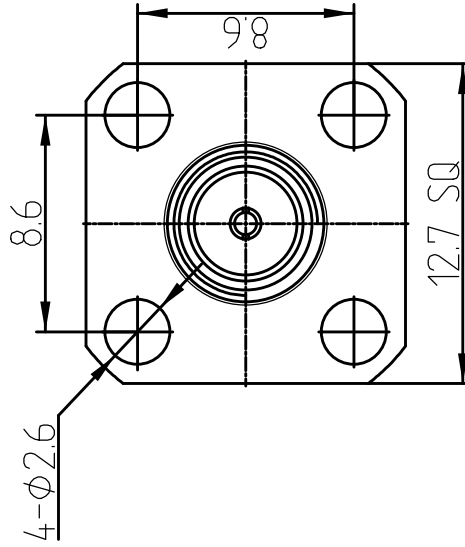
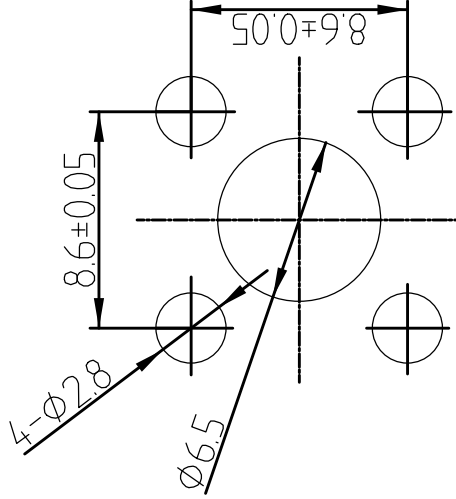


This document contains proprietary information and such information may not be disclosed to others for any purposes, not used for sales/marketing/procurement purposes without written permission



**Mounting Hole**



- 1 Electrical
  - 1.1 Impedance: 50 Ω
  - 1.2 Frequency: DC-18GHz
  - 1.3 VSWR: 1:20:1
- 2 Mechanical&Environmental
  - 2.1 Temperature range -45°C ~+85°C
  - 2.2 Durability(matings) >500
  - 2.3 RoHS Compliant Yes

- 3 Material&Finish
  - 3.1 Pin contact: Beryllium-Copper, gold plated
  - 3.2 Body: Stainless Steel(SU303), Passivated
  - 3.3 Insulators: Teflon
- 4 Interface Standards
  - 4.1 SMA MIL-STD-348A

**Notes:**

1. ALL SPECIFICATIONS ARE SUBJECT TO CHANGE NOTICE AT ANY TIME
2. CUSTOMER OUTLINE DRAWING FOR REFERENCE ONLY

REV	DESCRIPTION OF REVISION	ECN NO.	BY	DATE	APPROVED
A	Initial Release		T. Shihua	26/8/16	26/8/16

DRAWN: T. Shihua 26/8/16		TITLE: Precision Adapter	
ENGINEER: C. Tao 26/8/16		SMA Female to SMA Female Flange	
APPROVED: W. Qiang 26/8/16		DIMENSION IN MILLIMETERS (mm)	
TOLERANCES UNLESS OTHERWISE SPECIFIED			
X	+0.50	SIZE: A4	SCALE: N/A
.X	+0.20	SHEET: 1/1	REV: A
.XX	+0.10		
ANGLES	*°		
PART NO: SMA-KFKGM			