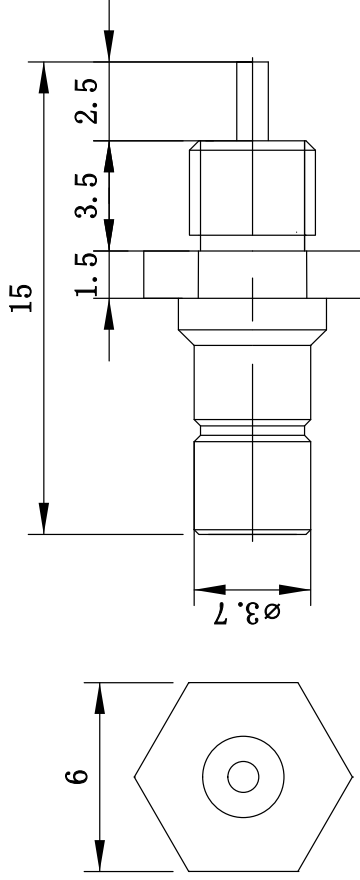


This document contains proprietary information and such information may not be disclosed to others for any purposes, not used for sales/marketing/procurement purposes without written permission

- 1 Electrical
 - 1.1 Impedence 50 Ω
 - 1.2 Frequency DC~4GHz
 - 1.3 Dielectric withstanding voltage 1000V (volts RMS)
 - 1.4 Center contact resistance $\leq 5.0m\Omega$
 - 1.5 Outer contact resistance $\leq 2.5m\Omega$
 - 1.6 Insulation resistance $\geq 1000M\Omega$
 - 1.7 VSWR 1.25:1

- 2 Materials&plating
 - 2.1 Body: Brass, Gold plated
 - 2.2 Insulator: Teflon
 - 2.3 Contact Pin: Brass, Gold plated



REV	DESCRIPTION OF REVISION	ECN NO.	BY	DATE	APPROVED
A	Initial Release		T. Shihua	25/02/16	25/02/16

Notes:

1. ALL SPECIFICATIONS ARE SUBJECT TO CHANGE NOTICE AT ANY TIME
2. CUSTOMER OUTLINE DRAWING FOR REFERENCE ONLY

DRAWN: T. Shihua 25/02/16

ENGINEER: C. Tao 25/02/16

APPROVED: W. Qiang 25/02/16

TOLERANCES UNLESS OTHERWISE SPECIFIED

X ± 0.50

.X ± 0.20

.XX ± 0.10

ANGLES $\pm 1^\circ$

TITLE:

RF Coaxial Connector

SMB Male Connector for Terminal

PART NO: SMB-DI



www.tenuitai.com



DIMENSION IN MILLIMETERS (mm)

SIZE: A4

SCALE: N/A

SHEET: 1/1

REV: A