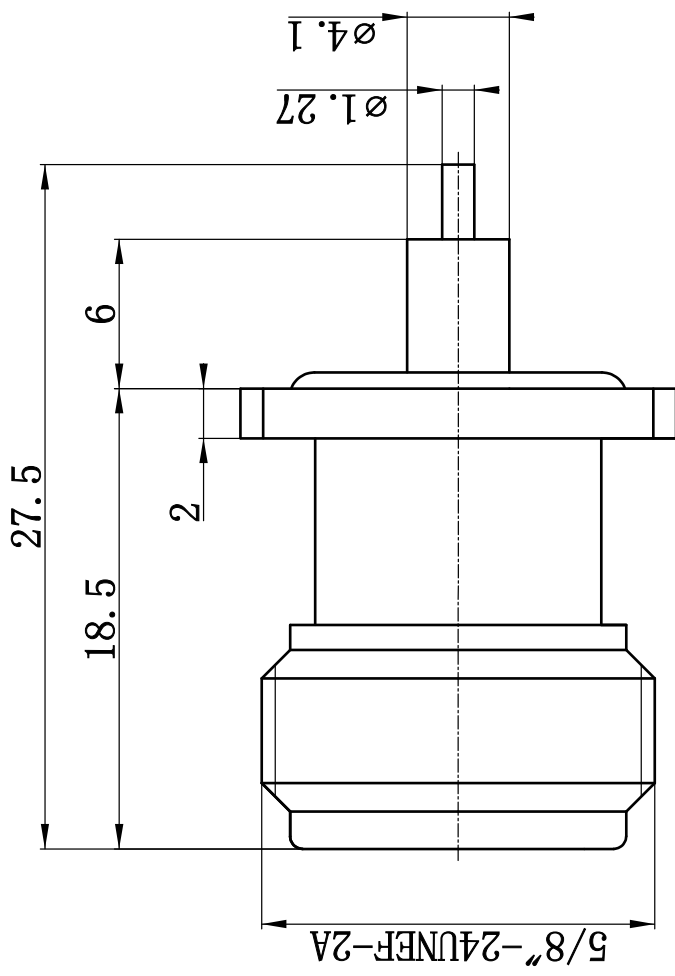


This document contains proprietary information and such information may not be disclosed to others for any purposes, not used for sales/marketing/procurement purposes without written permission



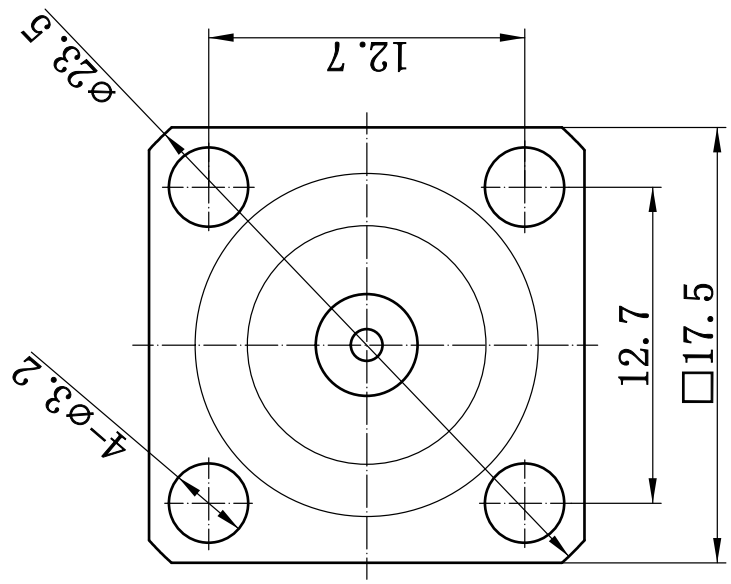
1. Electrical
  - 1.1 Impedance 50 Ω
  - 1.2 Frequency DC~11GHz
  - 1.3 Dielectric withstanding voltage 1500V(volts RMS)
  - 1.4 Center contact resistance  $\leq 1M\Omega$
  - 1.5 Outer contact resistance  $\leq 0.2M\Omega$
  - 1.6 Insulation resistance  $\geq 5000M\Omega$
  - 1.7 VSWR  $\leq 1.20@6GHz$

2. Environmental&Mechanical
  - 2.1 Temperature range -55℃~125℃
  - 2.2 RoHS Compliant
  - 2.3 Durability >500 cycles



3. Materials&Finish
  - 3.1 Body: Brass, Nickel-plated
  - 3.2 Insulator: Teflon
  - 3.3 Contact Pin: Bronze, gold plated
  - 3.4 Gasket: Silicon Rubber

Notes:

1. ALL SPECIFICATIONS ARE SUBJECT TO CHANGE NOTICE AT ANY TIME
2. CUSTOMER OUTLINE DRAWING FOR REFERENCE ONLY



REV	DESCRIPTION OF REVISION	ECN NO.	BY	DATE	APPROVED
A	Initial Release		T. Shihua	28/04/15	28/04/15

		<a href="http://www.rf-connector-china.com">www.rf-connector-china.com</a>	
<b>RF Coaxial Connector</b> <b>N Female Straight Flange Connector</b>			
TITLE:		DIMENSION IN MILLIMETERS (mm)	
DRAWN : T. Shihua 28/04/15			
CHECKED : C. Tao 28/04/15		UNIT: A4	SCALE: 1/1
APPROVED : W. Qiang 28/04/15		PART NO.: N-KFD1019M	
TOLERANCES UNLESS OTHERWISE SPECIFIED			
X ±0.50		DIM:	
.X ±0.20		DIA:	
.XX ±0.10		R:	
ANGLES ±1°		HOLE:	