

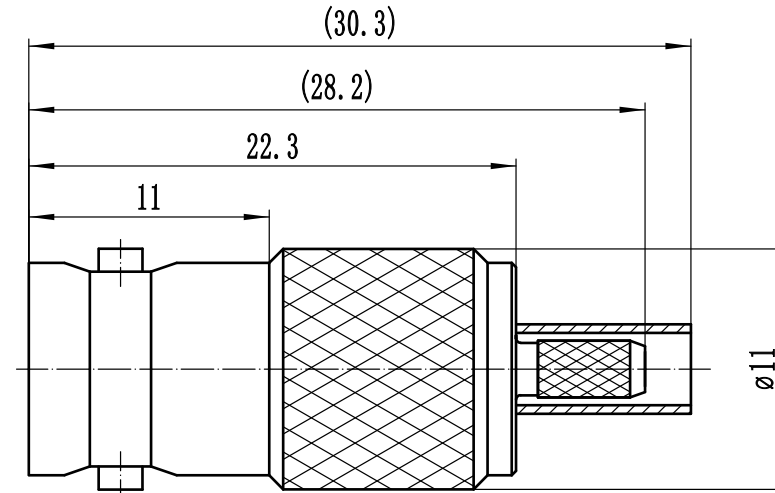
This document contains proprietary information and such information may not be disclosed to others for any purposes, not used for sales/marketing/procurement purposes without written permission

REV	DESCRIPTION OF REVISION	TRL NO.	BY	DATE	APPROVED
A	Initial Release	—	T. Shihua	14/04/2022	14/04/2022

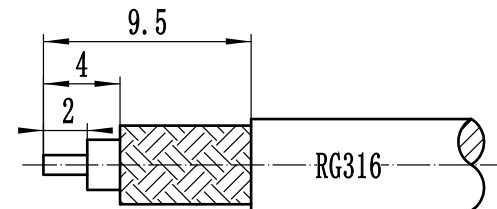
- 1 Electrical**
- 1.1 Impedance 50 Ω
 - 1.2 Frequency DC~4.0GHz
 - 1.3 Dielectric withstanding voltage 1500V(volts RMS)
 - 1.4 Insulation resistance: >5000MΩ
 - 1.5 VSWR <1.25:1
 - 1.6 INSERTION LOSS ≤0.30dB

- 2 Environmental&Mechanical**
- 2.1 Temperature range -55°C~+125°C
 - 2.2 RoHs Compliant Yes
 - 2.3 Durability >500 cycles

- 3 Materials&Finish**
- 3.1 Body: Brass, Nickel plated
 - 3.2 Insulator: Teflon
 - 3.3 Contact Pin: Brass, Gold plated





Recommended cable stripping dimensions



Notes:

- 1. ALL SPECIFICATIONS ARE SUBJECT TO CHANGE NOTICE AT ANY TIME
- 2. CUSTOMER OUTLINE DRAWING FOR REFERENCE ONLY

DRAWN: T. Shihua 14/04/2022 ENGINEER: C. Tao 14/04/2022 APPROVED: W. Qiang 14/04/2022	TITLE RF Coaxial Connector BNC Female For RG316 Cable	 www.rf-connector-china.com		
TOLERANCES UNLESS OTHERWISE SPECIFIED X ±0.50 .X ±0.20 .XX ±0.10 ANGLES ±1°	PART NO: BNC-K3YA		 DIMENSION IN MILLIMETERS (mm)	
SIZE: A4		SCALE: 3:1	SHEET: 1/1	REV: VA