

This document contains proprietary information and such information may not be disclosed to others for any purposes, not used for sales/marketing/procurement purposes without written permission

REV	DESCRIPTION OF REVISION	TRL NO.	BY	DATE	APPROVED
A	Initial Release	—	T. Shihua	09/09/2022	09/09/2022

1 Electrical

- 1.1 Impedance: 50 Ω
- 1.2 Frequency: DC~18.0GHz
- 1.3 VSWR: ≤1.30
- 1.4 Insulation resistance: ≥5000MΩ
- 1.5 Dielectric strength: 1000V
- 1.6 Center contact ≤ 3.0mΩ
- 1.7 Outer contact ≤ 2.0mΩ

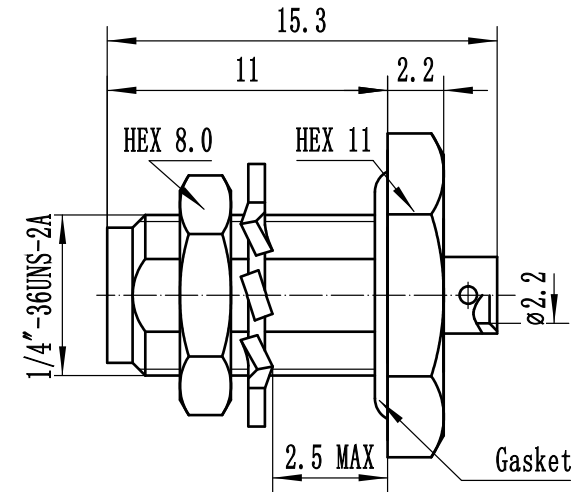
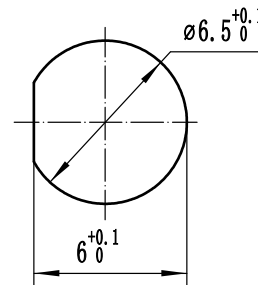
2 Environmental&Mechanical

- 2.1 Temperature range: -55℃~+125℃
- 2.2 RoHs Compliant
- 2.3 Durability: >500 cycles

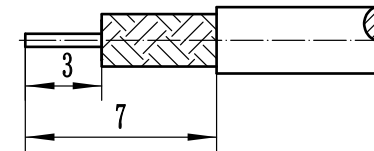
3 Materials&Finish

- 3.1 Body: Brass, Gold plated
- 3.2 Insulators: Teflon
- 3.3 Contact Pin: Beryllium-Copper, Gold plated
- 3.4 Gasket: Silicone Rubber

Recommended opening size





Recommended cable stripping dimensions



Notes:

- 1. ALL SPECIFICATIONS ARE SUBJECT TO CHANGE NOTICE AT ANY TIME
- 2. CUSTOMER OUTLINE DRAWING FOR REFERENCE ONLY

DRAWN: T. Shihua 09/09/2022 ENGINEER: C. Tao 09/09/2022 APPROVED: W. Qiang 09/09/2022	TITLE RF Coaxial Connector SMA Female Bulkhead Mount For RG405 Cable	 www.rf-connector-china.com  DIMENSION IN MILLIMETERS (mm)
TOLERANCES UNLESS OTHERWISE SPECIFIED X ±0.50 .X ±0.20 .XX ±0.10 ANGLES ±1°	PART NO: SMA-KYB2M	