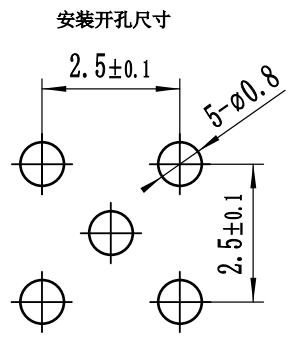
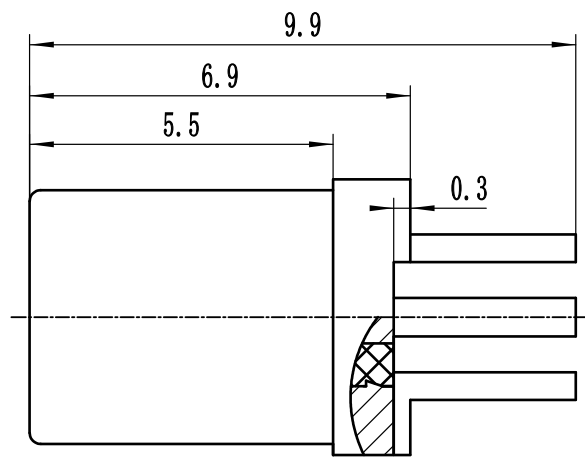


This document contains proprietary information and such information may not be disclosed to others for any purposes, not used for sales/marketing/procurement purposes without written permission

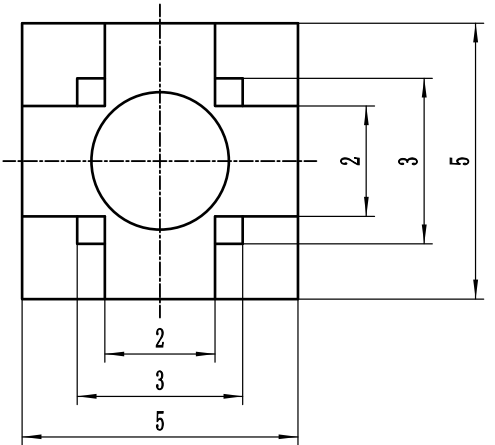
REV	DESCRIPTION OF REVISION	TRL NO.	BY	DATE	APPROVED
A	Initial Release	—	T. Shihua	04/03/2022	04/03/2022



1 Electrical	
1.1 Impedence	50 Ω
1.2 Frequency	DC~6 GHz
1.3 Dielectric withstanding voltage	750V(volts RMS)
1.4 Center contact resistance	≤ 5M Ω
1.5 Outer contact resistance	≤ 2.5M Ω
1.6 Insulation resistance:	≥1000M Ω
1.7 VSWR	1.30:1



2 Environmental&Mechanical	
2.1 Temperature range	-45℃~125℃
2.2 RoHs Compliant	
2.3 Durability	>500 cycles

3 Materials&Finish	
3.1 Body:	Brass, Gold plated
3.2 Insulator:	Teflon
3.3 Contact Pin:	Beryllium copper, Gold plated



Notes:

- 1. ALL SPECIFICATIONS ARE SUBJECT TO CHANGE NOTICE AT ANY TIME
- 2. CUSTOMER OUTLINE DRAWING FOR REFERENCE ONLY

DRAWN: T. Shihua 26/05/2022 ENGINEER: C. Tao 26/05/2022 APPROVED: W. Qiang 26/05/2022 TOLERANCES UNLESS OTHERWISE SPECIFIED .X ±0.50 .X ±0.20 .XX ±0.10 ANGLES ±1°	TITLE RF Coaxial Connector MCX Female Conn. PCB Mount PART NO: MCX-KHD15	 www.rf-connector-china.com  DIMENSION IN MILLIMETERS (mm)
	SIZE: A4 SCALE: 4.5:1 SHEET: 1/1 REV: VA	