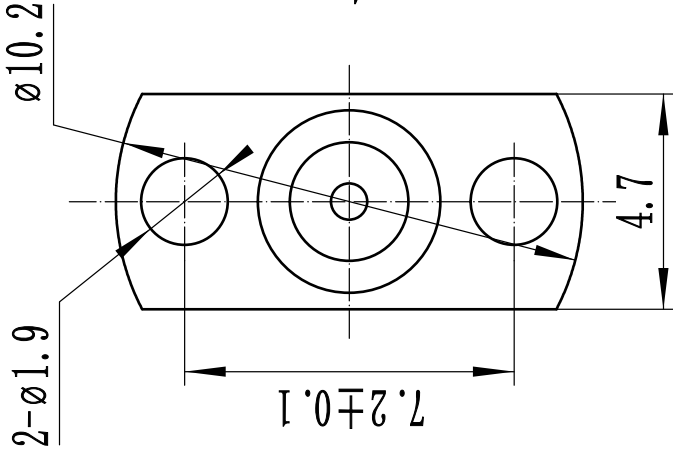


This document contains proprietary information and such information may not be disclosed to others for any purposes, not used for sales/marketing/procurement purposes without written permission



- 1 Electrical
 - 1.1 Impedance: 50 Ω
 - 1.2 Frequency: DC~18GHz
 - 1.3 VSWR: ≤1.30:1
 - 1.4 Insulation resistance: ≥5000M Ω
 - 1.5 Dielectric strength: 500V
 - 1.6 Center contact ≤ 6.0m Ω
 - 1.7 Outer contact ≤ 2.0m Ω
- 2 Environmental&Mechanical
 - 2.1 Temperature range: -55℃~+125℃
 - 2.2 RoHS Compliant
 - 2.3 Durability: >500 cycles
- 3 Materials&Finish
 - 3.1 Body: Beryllium-Copper/Brass, Gold plated
 - 3.2 Insulator: Teflon
 - 3.3 Contact Pin: Beryllium-Copper, Gold plated

Notes:

1. ALL SPECIFICATIONS ARE SUBJECT TO CHANGE NOTICE AT ANY TIME
2. CUSTOMER OUTLINE DRAWING FOR REFERENCE ONLY

REV	DESCRIPTION OF REVISION	TEL NO.	BY	DATE	APPROVED
A	Initial Release		T. Shihua	08/09/2022	08/09/2022

DRAWN: T. Shihua 08/09/2022		TITLE	
ENGINEER: C. Tao 08/09/2022	RF Coaxial Connector		
APPROVED: W. Qiang 08/09/2022	SMP Female Flange Terminal		
TOLERANCES UNLESS OTHERWISE SPECIFIED	DIMENSION IN MILLIMETERS (mm)		
.X ±0.50	SIZE: A4	SCALE: 8:1	SHEET: 1/1
.XX ±0.20	PART NO: SMP-KPD30	REV: 1/1	VA
ANGLES ±1°	www.rf-connector-china.com		