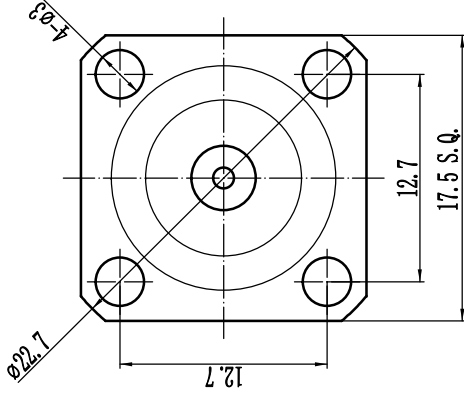
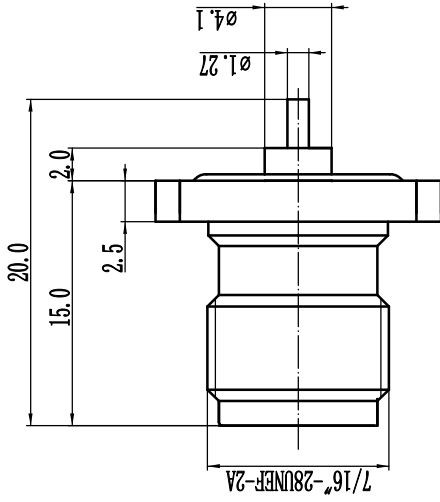


This document contains proprietary information and such information may not be disclosed to others for any purposes, not used for sales/marketing/promocement purposes without written permission



- 1 Electrical**
 1.1 Impedance 50 Ω
 1.2 Frequency DC-11GHz
 1.3 VSWR ≤1.20@6GHz
- 2 Environmental&Mechanical**
 2.1 Temperature range -45℃~125℃
 2.2 RoHs Compliant
 2.3 Durability >500 cycles
- 3 Materials&plating**
 3.1 Body: Brass, Nickel plated
 3.2 Insulator: Teflon
 3.3 Contact Pin: Phosphor Bronze, Gold plated

REV	DESCRIPTION OF REVISION	ECN NO.	BY	DATE	APPROVED
A	Initial Release		T. Shihua	02/08/13	02/08/13

Notes:

- ALL SPECIFICATIONS ARE SUBJECT TO CHANGE NOTICE AT ANY TIME
- CUSTOMER OUTLINE DRAWING FOR REFERENCE ONLY

DRAWN: T. Shihua 02/08/13
ENGINEER: C. Tao 02/08/13
APPROVED: W. Qiang 02/08/13
TOLERANCES UNLESS OTHERWISE SPECIFIED
X ±0.50
.X ±0.20
.XX ±0.10
ANGLES ±1°

TITLE: RF Coaxial Connector	
TNC Female Flange Connector Terminal	
PART NO: TNC-KFD2M	3



www.rf-connector-china.com



DIMENSION IN MILLIMETERS (mm)

SIZE: A4	SCALE: N/A	SHEET: 1/1	REV: A
----------	------------	------------	--------

4

3

2

1

A

B

4

3

2

1

A

B