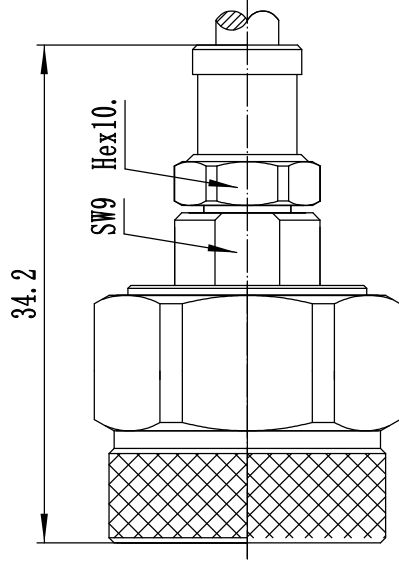


This document contains proprietary information and such information may not be disclosed to others for any purposes, not used for sales/marketing/procurement purposes without written permission

- 1 电气性能
 - 1.1 特性阻抗: 50 Ω
 - 1.2 频率范围: DC~18GHz
 - 1.3 VSWR: ≤1.30
 - 1.4 绝缘电阻 ≥5000M Ω
 - 1.5 介质耐压: 1500V
 - 1.6 接触电阻
 - 中心导体 ≤ 1.5 mΩ
 - 外导体 ≤ 0.2 mΩ
- 2 材料&镀层
 - 2.1 插孔: 青铜, 镀金
 - 2.2 外壳: 黄铜, 镀三元
 - 2.3 绝缘体: PTFE
 - 2.4 螺套: 不锈钢, 钝化
- 3 温度&寿命
 - 3.1 温度范围 -45° C~+125° C
 - 3.2 寿命 ≥500次



Notes:

1. ALL SPECIFICATIONS ARE SUBJECT TO CHANGE NOTICE AT ANY TIME
2. CUSTOMER OUTLINE DRAWING FOR REFERENCE ONLY

REV	DESCRIPTION OF REVISION	TEL NO.	BY	DATE	APPROVED
A	Initial Release		T. Shihua	25/03/2022	25/03/2022

DRAWN: T. Shihua 25/03/2022		TITLE	
ENGINEER: C. Tao 25/03/2022	射频同轴连接器		
APPROVED: W. Qiang 25/03/2022	N 公头接TFELX141/RC402 电缆		
TOLERANCES UNLESS OTHERWISE SPECIFIED	DIMENSION IN MILLIMETERS (mm)		
X ±0.50	SIZE: A4	SCALE: 2:1	SHEET: 1/1
.X ±0.20	REV: VA		
.XX ±0.10			
ANGLES ±1°			
PART NO: N-JB141AG-F			



www.rf-connector-china.com



DIMENSION IN MILLIMETERS (mm)

SIZE: A4 SCALE: 2:1 SHEET: 1/1 REV: VA