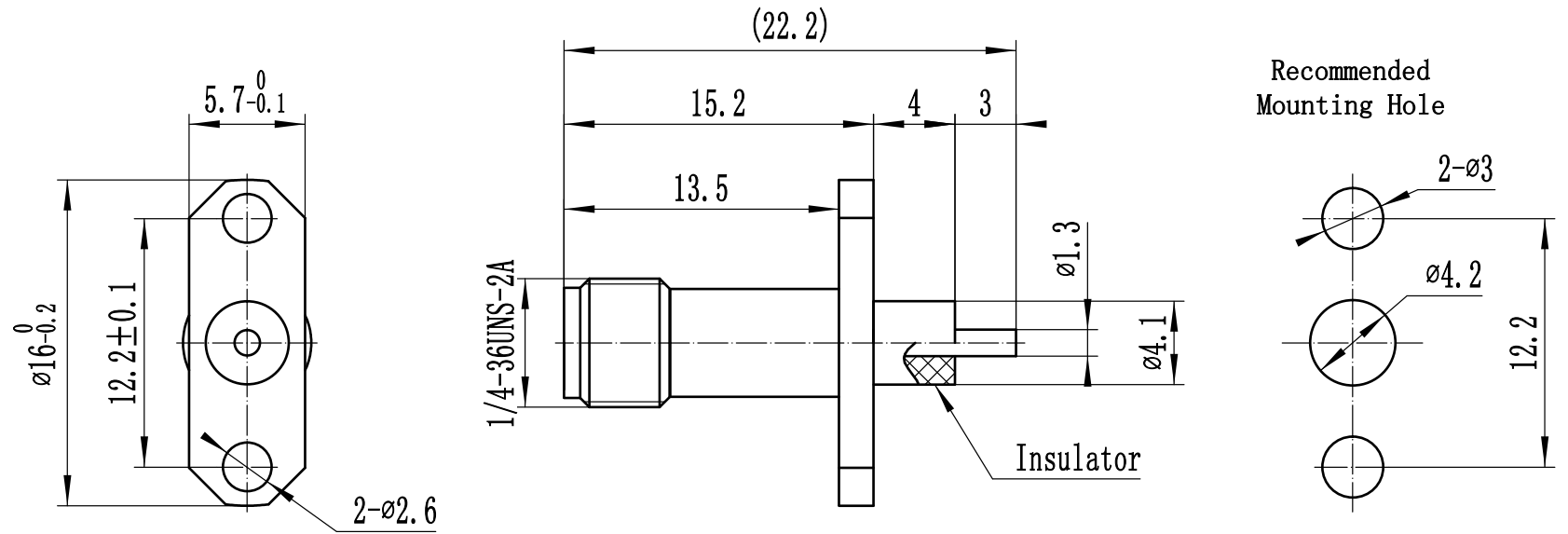


This document contains proprietary information and such information may not be disclosed to others for any purposes, not used for sales/marketing/procurement purposes without written permission

REV	DESCRIPTION OF REVISION	TRL NO.	BY	DATE	APPROVED
A	Initial Release	—	T. Shihua	25/06/2022	25/06/2022



1 Electrical

- 1.1 Impedence 50Ω
- 1.2 Frequency DC~18GHz
- 1.3 VSWR 1.30: 1

2 Environmental&Mechanical


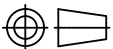
- 2.1 Temperature range $-45^{\circ}\text{C} \sim 125^{\circ}\text{C}$
- 2.2 RoHs Compliant
- 2.3 Durability >500 cycles

3 Materials&plating

- 3.1 Body: Brass, Gold plated
- 3.2 Insulator: Teflon
- 3.3 Contact Pin: Beryllium-copper, Gold plated

Notes:

- 1. ALL SPECIFICATIONS ARE SUBJECT TO CHANGE NOTICE AT ANY TIME
- 2. CUSTOMER OUTLINE DRAWING FOR REFERENCE ONLY

DRAWN: T. Shihua 25/06/2022 ENGINEER: C. Tao 25/06/2022 APPROVED: W. Qiang 25/06/2022	TITLE RF Coaxial Connector SMA Female Flange Mount Connector	 www.rf-connector-china.com  DIMENSION IN MILLIMETERS (mm)
TOLERANCES UNLESS OTHERWISE SPECIFIED X ± 0.50 .X ± 0.20 .XX ± 0.10 ANGLES $\pm 1^{\circ}$	PART NO: SMA-KFD1072	
SIZE: A4		SCALE: 3:1
SHEET: 1/1		REV: VA