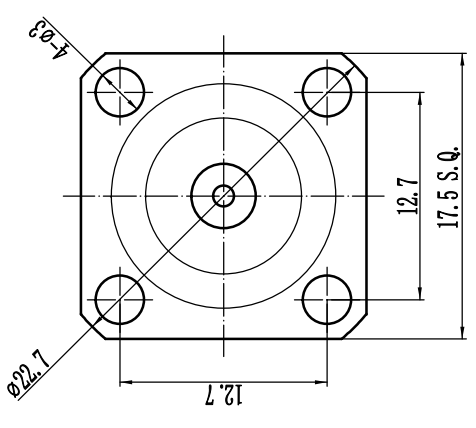
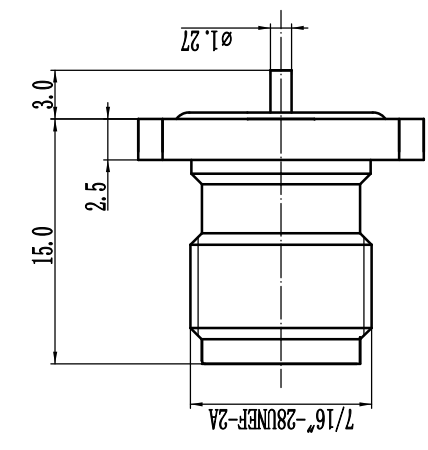


This document contains proprietary information and such information may not be disclosed to others for any purposes, not used for sales/marketing/promocement purposes without written permission



REV	DESCRIPTION OF REVISION	ECN NO.	BY	DATE	APPROVED
A	Initial Release		T. Shihua	02/08/13	02/08/13



- 1 Electrical
  - 1.1 Impedance 50 Ω
  - 1.2 Frequency DC-11GHz
  - 1.3 VSWR ≤1.20@6GHz
- 2 Environmental&Mechanical
  - 2.1 Temperature range -45℃~125℃
  - 2.2 RoHs Compliant
  - 2.3 Durability >500 cycles
- 3 Materials&plating
  - 3.1 Body: Brass, Nickel plated
  - 3.2 Insulator: Teflon
  - 3.3 Contact Pin: Phosphor Bronze, Gold plated

**Notes:**

1. ALL SPECIFICATIONS ARE SUBJECT TO CHANGE NOTICE AT ANY TIME
2. CUSTOMER OUTLINE DRAWING FOR REFERENCE ONLY

DRAWN: T. Shihua 02/08/13 ENGINEER: C. Tao 02/08/13 APPROVED: W. Qiang 02/08/13 TOLERANCES UNLESS OTHERWISE SPECIFIED X ±0.50 .X ±0.20 .XX ±0.10 ANGLES ±1°	<b>TITLE:</b> RF Coaxial Connector TNC Female Flange Connector Terminal	 www.rf-connector-china.com  DIMENSION IN MILLIMETERS (mm)
PART NO: TNC-KFDIM	SCALE: N/A SHEET: 1/1	SIZE: A4 REV: A