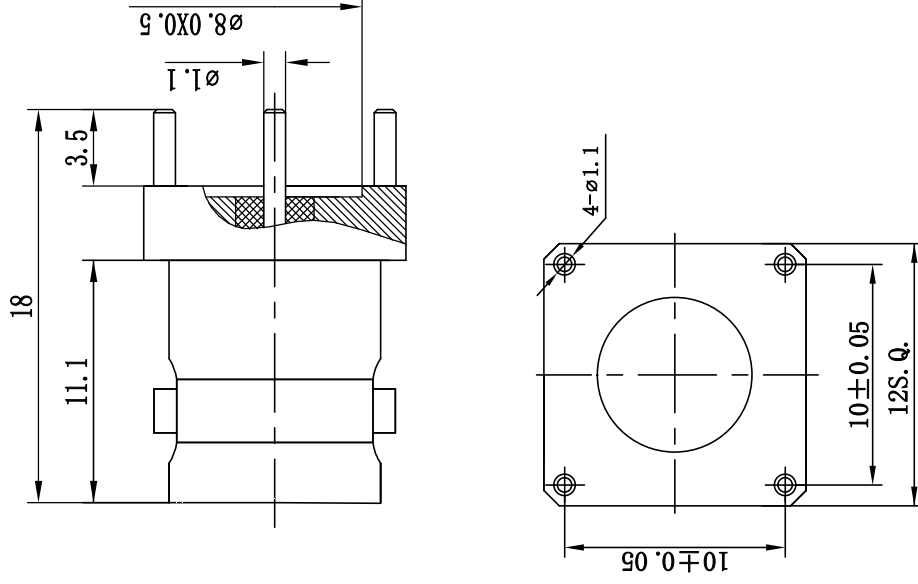


This document contains proprietary information and such information may not be disclosed to others for any purposes, not used for sales/marketing/procurement purposes without written permission

- 1 Electrical
 - 1.1 Impedance: 50 Ω
 - 1.2 Frequency: DC~4.0GHz
 - 1.3 VSWR: ≤1.30
 - 1.4 Insulation resistance: ≥5000MΩ
 - 1.5 Dielectric strength: 1500V
 - 1.6 Center contact ≤ 1.5mΩ
 - 1.7 Outer contact ≤ 1.0mΩ
- 2 Environmental&Mechanical
 - 2.1 Temperature range: -55°C~+125°C
 - 2.2 RoHs Compliant
 - 2.3 Durability: >500 cycles
- 3 Materials&Finish
 - 3.1 Body: Brass, Nickel plated
 - 3.2 Insulator: Teflon
 - 3.3 Contact Pin: Bronze, Gold plated



REV	DESCRIPTION OF REVISION	TOL. NO.	BY	DATE	APPROVED
A	Initial Release		T. Shihua	06/10/2022	06/10/2022

DRAWN:	T. Shihua 06/10/2022	TITLE	
ENGINEER:	C. Tao 06/10/2022	RF Coaxial Connector	
APPROVED:	W. Qiang 06/10/2022	BNC Female PCB Connector	
TOLERANCES UNLESS OTHERWISE SPECIFIED		DIMENSION IN MILLIMETERS (mm)	
.X	±0.50	SCALE: 1:1	
.XX	±0.20	SHEET: 1/1	
ANGLES	±1°	REV: VA	
PART NO:	BNC-KHDA	SIZE: A4	

Notes:

1. ALL SPECIFICATIONS ARE SUBJECT TO CHANGE NOTICE AT ANY TIME
2. CUSTOMER OUTLINE DRAWING FOR REFERENCE ONLY



www.rf-connector-china.com



DIMENSION IN MILLIMETERS (mm)

SIZE: A4 SCALE: 1:1 SHEET: 1/1 REV: VA