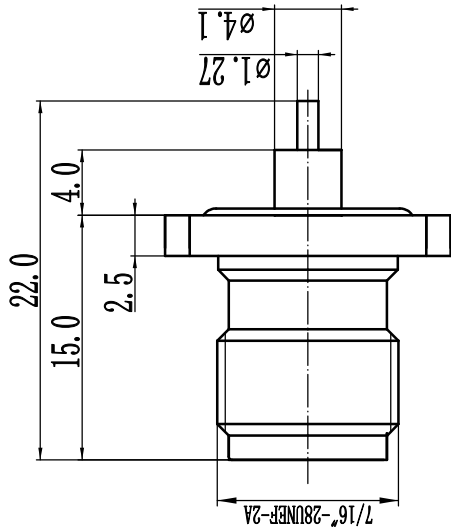


This document contains proprietary information and such information may not be disclosed to others for any purposes, not used for sales/marketing/promocement purposes without written permission



1 Electrical

- 1.1 Impedence 50 Ω
- 1.2 Frequency DC-6GHz
- 1.3 VSWR 1.25:1

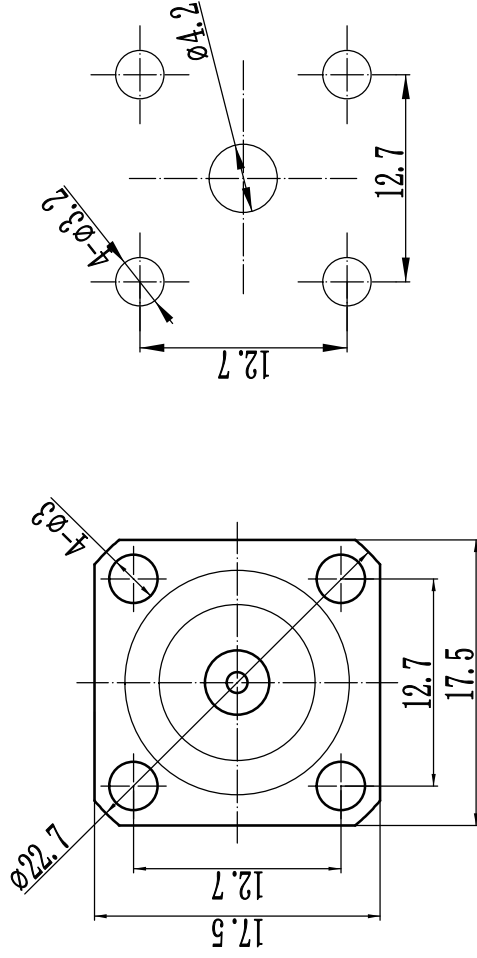
2 Environmental&Mechanical

- 2.1 Temperature range -45°C~125°C
- 2.2 RoHs Compliant
- 2.3 Durability >500 cycles

3 Materials&plating

- 3.1 Body: Brass, Nickel plated
- 3.2 Insulator: Teflon
- 3.3 Contact Pin: Phosphor Bronze, Gold plated

Recommended Mounting Hole



REV	DESCRIPTION OF REVISION	ECN NO.	BY	DATE	APPROVED
A	Initial Release		T. Shihua	02/08/13	02/08/13

Notes:

- 1. ALL SPECIFICATIONS ARE SUBJECT TO CHANGE NOTICE AT ANY TIME
- 2. CUSTOMER OUTLINE DRAWING FOR REFERENCE ONLY

DRAWN: T. Shihua 02/08/13		TITLE: RF Coaxial Connector	
ENGINEER: C. Tao 02/08/13		www.rf-connector-china.com	
APPROVED: W. Qiang 02/08/13		DIMENSION IN MILLIMETERS (mm)	
TOLERANCES UNLESS OTHERWISE SPECIFIED		SCALE: N/A	
X ±0.50	.X ±0.20	SIZE: A4	SHEET: 1/1
.XX ±0.10	ANGLES ±1°	PART NO: TNC-RF24M	REV: A