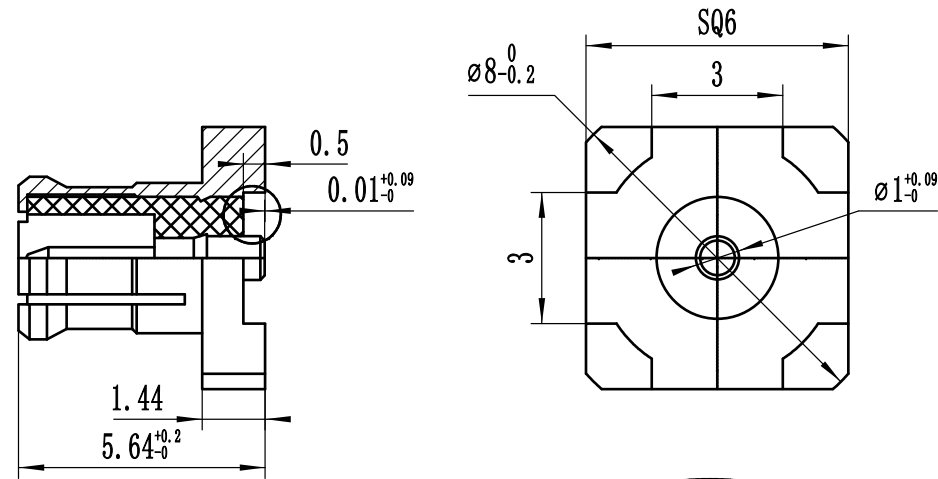


This document contains proprietary information and such information may not be disclosed to others for any purposes, not used for sales/marketing/procurement purposes without written permission

REV	DESCRIPTION OF REVISION	TRL NO.	BY	DATE	APPROVED
A	Initial Release	—	T. Shihua	28/03/2022	28/03/2022

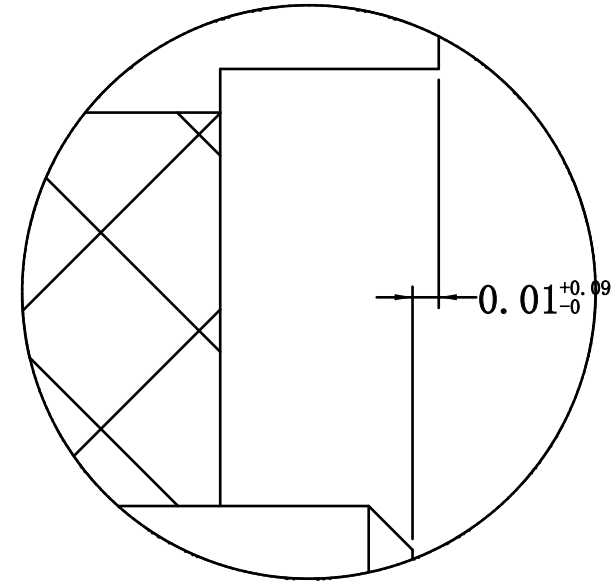
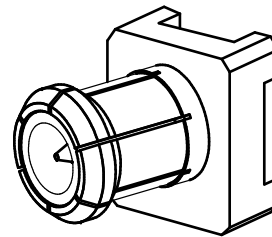


## 1 Electrical

- 1.1 Impedance: 50 Ω
- 1.2 Frequency: DC~6.0GHz
- 1.3 VSWR: ≤1.30
- 1.4 Insulation resistance: ≥1000M Ω
- 1.5 Dielectric strength: 750V
- 1.6 Contact resistance
  - Center contact ≤ 5.0M Ω
  - Outer contact ≤ 2.5M Ω



## 2 Materials&Finish

- 2.1 Inner Contact: Brass, Gold plated
- 2.2 Outer Contact: Beryllium copper, Gold plated
- 2.3 Insulators: PTFE



### Notes:

- 1. ALL SPECIFICATIONS ARE SUBJECT TO CHANGE NOTICE AT ANY TIME
- 2. CUSTOMER OUTLINE DRAWING FOR REFERENCE ONLY

DRAWN: T. Shihua 28/03/2022 ENGINEER: C. Tao 28/03/2022 APPROVED: W. Qiang 28/03/2022 TOLERANCES UNLESS OTHERWISE SPECIFIED X ±0.50 .X ±0.20 .XX ±0.10 ANGLES ±1°	TITLE RF Coaxial Connector MCX Male for SMD, SMT PART NO: MCX-JFDT	 www.rf-connector-china.com  DIMENSION IN MILLIMETERS (mm)		
	SIZE: A4	SCALE: 6:1	SHEET: 1/1	REV: VA