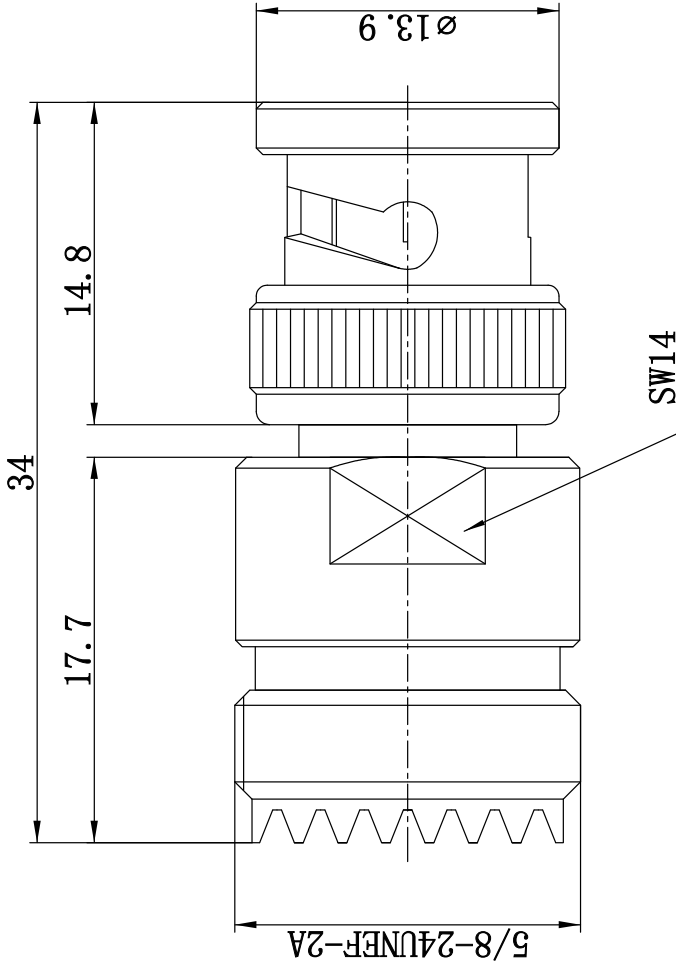


This document contains proprietary information and such information may not be disclosed to others for any purposes, not used for sales/marketing/procurement purposes without written permission



- 1 Electrical
  - 1.1 Impedance 50 Ω
  - 1.2 Frequency DC-300MHz
  - 1.3 VSWR 1.30:1
- 2 Environmental&Mechanical
  - 2.1 Temperature range -40°C~125°C
  - 2.2 RoHs Compliant
  - 2.3 Durability >500 cycles
- 3 Materials&Finish
  - 3.1 Body: Brass, Nickel plated
  - 3.2 Insulator: Teflon
  - 3.3 Contact Pin: Brass, Gold plated
  - 3.4 Coupling Nut: Brass, Nickel plated
  - 3.5 Gasket: Silicon rubber (red color)
  - 3.6 C-ring: Phosphor bronze, nickel plated

REV	DESCRIPTION OF REVISION	ECN NO.	BY	DATE	APPROVED
A	New Release		T. Shihua	29/04/21	29/04/21

DRAW : T. Shihua 29/04/21	
ENGINEER: C. Tao 29/04/21	
APPROVED : W. Qiang 29/04/21	
TOLERANCES UNLESS OTHERWISE SPECIFIED	
X	±0.50
.X	±0.20
.XX	±0.10
ANGLES ±1°	

TITLE: RF Adaptor		www.fconmade-china.com	
UHF Female	to BNC Male	DIMENSION IN MILLIMETERS (mm)	
DRAW NO: UHF/BNC-KJ	SCALE: N/A	SHEET: 1/1	REV: A

- Notes:
1. ALL SPECIFICATIONS ARE SUBJECT TO CHANGE NOTICE AT ANY TIME
  2. CUSTOMER OUTLINE DRAWING FOR REFERENCE ONLY