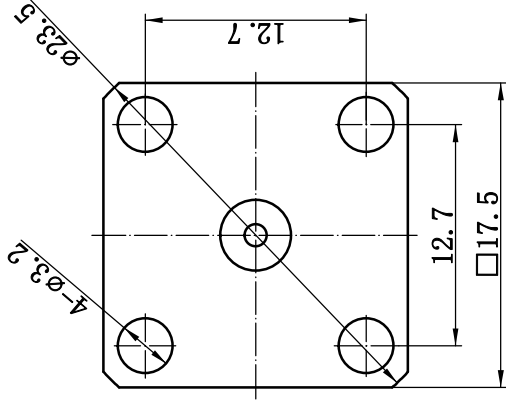
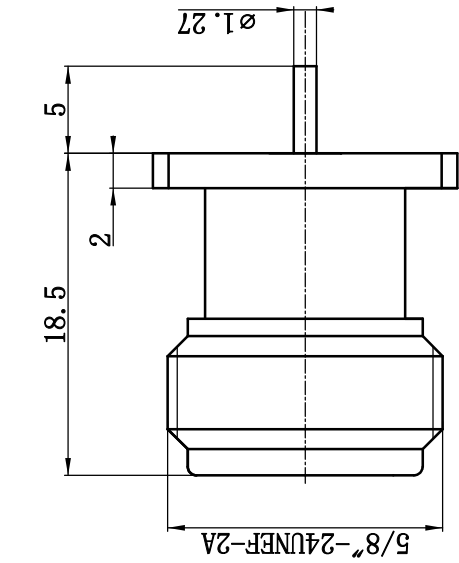


This document contains proprietary information and such information may not be disclosed to others for any purposes, not used for sales/marketing/promocent purposes without written permission

REV	DESCRIPTION OF REVISION	ECN NO.	BY	DATE	APPROVED
A	Initial Release		T. Shihua	28/04/15	28/04/15



1. Electrical
  - 1.1 Impedence 50 Ω
  - 1.2 Frequency DC~11GHz
  - 1.3 Dielectric withstanding voltage 1500V (volts RMS)
  - 1.4 Insulation resistance: >5000MΩ
  - 1.5 VSWR <1.30@6GHz
2. Environmental&Mechanical
  - 2.1 Temperature range -55℃~125℃
  - 2.2 RoHS Compliant Yes
  - 2.3 Durability >500 cycles
3. Materials&Finish
  - 3.1 Body: Brass, Nickel plated
  - 3.2 Insulator: Teflon
  - 3.3 Contact Pin: Brass, Gold plated

**Notes:**

1. ALL SPECIFICATIONS ARE SUBJECT TO CHANGE NOTICE AT ANY TIME
2. CUSTOMER OUTLINE DRAWING FOR REFERENCE ONLY

DRAWN: T. Shihua 28/04/15	TITLE: RF Coaxial Connector	
ENGINEER: C. Tao 28/04/15	www.rf-conector-china.com	
APPROVED: W. Qiang 28/04/15	N Female Straight Flange Connector	
TOLERANCES UNLESS OTHERWISE SPECIFIED	DIMENSION IN MILLIMETERS (mm)	
X ±0.50	SIZE: A4	SCALE: N/A
.X ±0.20	SHEET: 1/1	REV: A
.XX ±0.10	PART NO: N-KFD1002	
ANGLES ±1°		

