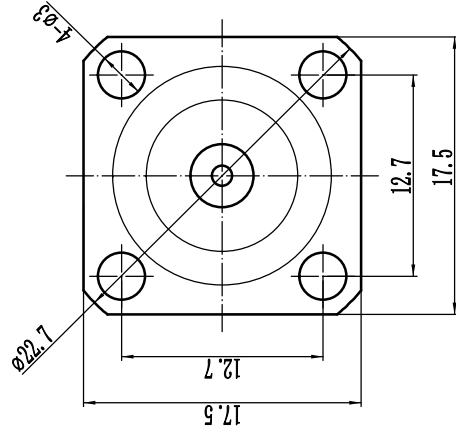
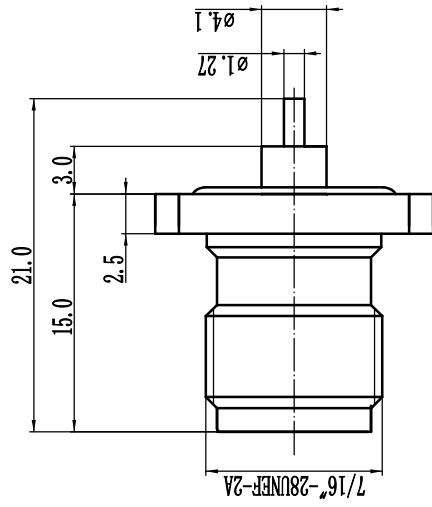


1 2 3 4

This document contains proprietary information and such information may not be disclosed to others for any purposes, not used for sales/marketing/procurement purposes without written permission



- 1 Electrical
 - 1.1 Impedence 50 Ω
 - 1.2 Frequency DC-11GHz
 - 1.3 VSWR ≤1.20@6GHz
- 2 Environmental&Mechanical
 - 2.1 Temperature range -45°C~125°C
 - 2.2 RoHS Compliant
 - 2.3 Durability >500 cycles
- 3 Materials&plating
 - 3.1 Body: Brass, Nickel plated
 - 3.2 Insulator: Teflon
 - 3.3 Contact Pin: Phosphor Bronze, Gold plated

REV	DESCRIPTION OF REVISION	ECN NO.	BY	DATE	APPROVED
A	Initial Release		T. Shihua	02/08/13	02/08/13

Notes:
 1. ALL SPECIFICATIONS ARE SUBJECT TO CHANGE NOTICE AT ANY TIME
 2. CUSTOMER OUTLINE DRAWING FOR REFERENCE ONLY

DRAWN: T. Shihua 02/08/13	TITLE: RF Coaxial Connector TNC Female Flange Connector Terminal	www.rf-connector-china.com DIMENSION IN MILLIMETERS (mm)
ENGINEER: C. Tao 02/08/13		
APPROVED: W. Qiang 02/08/13 TOLERANCES UNLESS OTHERWISE SPECIFIED X ±0.50 .X ±0.20 ANGLES ±1°		
PART NO: TNC-KFD3M		SIZE: A4 SCALE: N/A SHEET: 1/1 REV: A

A B