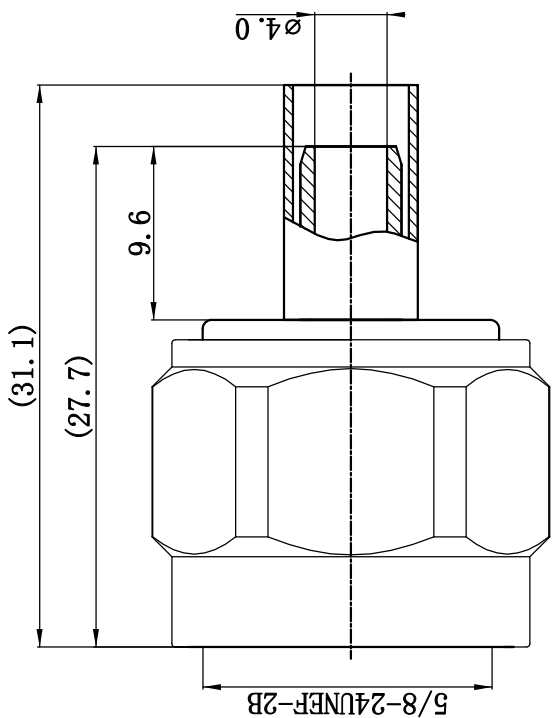
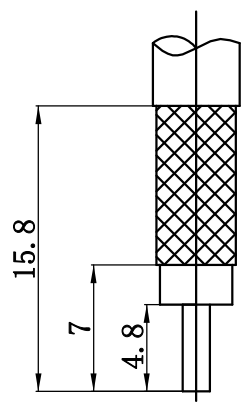


This document contains proprietary information and such information may not be disclosed to others for any purposes, not used for sales/marketing/procurement purposes without written permission

REV	DESCRIPTION OF REVISION	ECN NO.	BY	DATE	APPROVED
A	Initial Release		T. Shihua	13/05/15	13/05/15





Cable Stripping Dimension



- 1 Electrical
 - 1.1 Impedance: 50 Ω
 - 1.2 Frequency: DC~11GHz
 - 1.3 Dielectric withstanding voltage: 1500V (volts RMS)
 - 1.4 Working Voltage: 1000V rms
 - 1.5 Insulation resistance: ≥5000M Ω
 - 1.6 VSWR: ≤1.25@6GHz
- 2 Environmental&Mechanical
 - 2.1 Temperature range: -40℃~125℃
 - 2.2 RoHs Compliant
 - 2.3 Durability: >500 cycles

- 3 Materials&plating
 - 3.1 Body: Brass, Nickel Plated
 - 3.2 Insulator: Teflon
 - 3.3 Contact Pin: Brass, Gold plated
 - 3.4 Ferrule: Copper, Nickel Plated
 - 3.5 Coupling nut: Brass, Nickel Plated

Notes:
 1. ALL SPECIFICATIONS ARE SUBJECT TO CHANGE NOTICE AT ANY TIME
 2. CUSTOMER OUTLINE DRAWING FOR REFERENCE ONLY

DRAWN: T. Shihua 13/05/15	TITLE: RF Coaxial Connector N male Conn. For LMR240 cable	 www.teruli.com
ENGINEER: C. Tao 13/05/15		
APPROVED: W. Qiang 13/05/15		
TOLERANCES UNLESS OTHERWISE SPECIFIED X ±0.50 .X ±0.20 ANGLES ±1°		
PART NO: N-J240YA		DIMENSION IN MILLIMETERS (mm) 
SIZE: A4		SCALE: N/A
SHEET: 1/1		REV: A