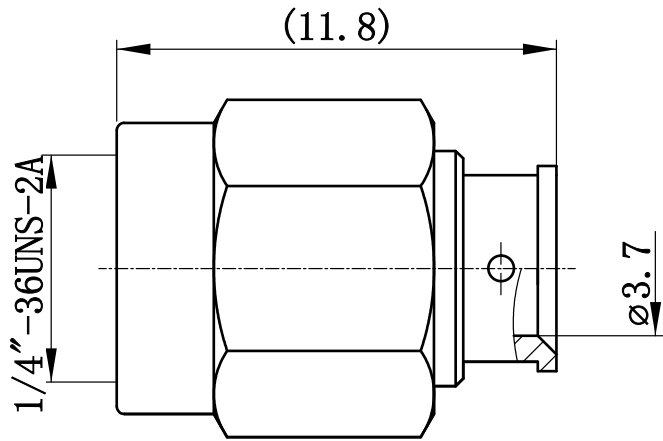


This document contains proprietary information and such information may not be disclosed to others for any purposes, not used for sales/marketing/procurement purposes without written permission

REV	DESCRIPTION OF REVISION	ECN NO.	BY	DATE	APPROVED
A	Initial Release	—	T. Shihua	12/7/13	12/7/13



1 Electrical

1.1 Impedance	50 Ω
1.2 Frequency	DC-18GHz
1.2 Dielectric withstanding voltage	1000V (volts RMS)
1.3 Center contact resistance	≤ 3M Ω
1.4 Outer contact resistance	≤ 2M Ω
1.5 Insulation resistance	≥5000M Ω
1.6 VSWR	≤1.20@6GHz

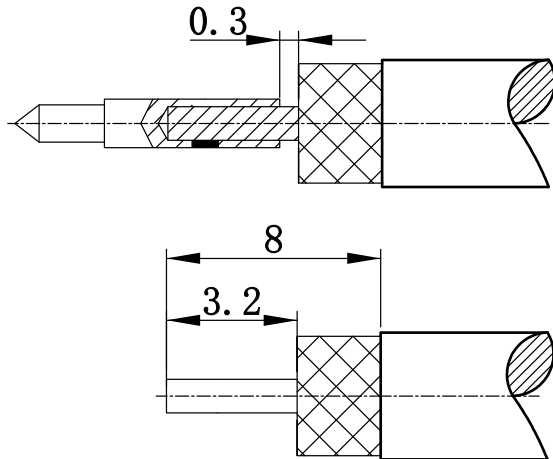
2 Environmental&Mechanical

2.1 Temperature range	-45°C~125°C
2.2 RoHs Compliant	
2.3 Durability	>500 cycles

3 Materials&plating


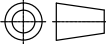
3.1 Body:	Brass, Gold plated
3.2 Insulator:	Teflon
3.3 Contact Pin:	Brass Gold plated
3.4 Nut:	Brass, Gold plated

Recommended Cable Stripping Dimension



Notes:

1. ALL SPECIFICATIONS ARE SUBJECT TO CHANGE NOTICE AT ANY TIME
2. CUSTOMER OUTLINE DRAWING FOR REFERENCE ONLY

DESIGNER : T. Shihua 12/07/13	TITLE:	 www.rf-connector-china.com
ENGINEER : C. Tao 12/07/13	RF Coaxial Connector	
APPROVED : W. Qiang 12/07/13	SMA Male Conn. For 141/RG402 Cable	 DIMENSION IN MILLIMETERS (mm)
TOLERANCES UNLESS OTHERWISE SPECIFIED X ±0.50 .X ±0.20 .XX ±0.10 ANGLES ±1°		
PART NO. ISMA-JB3A-1	REV. A4	DATE N/A
		QUANTITY 1/1
		REV. A