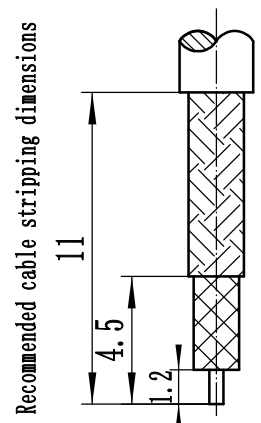
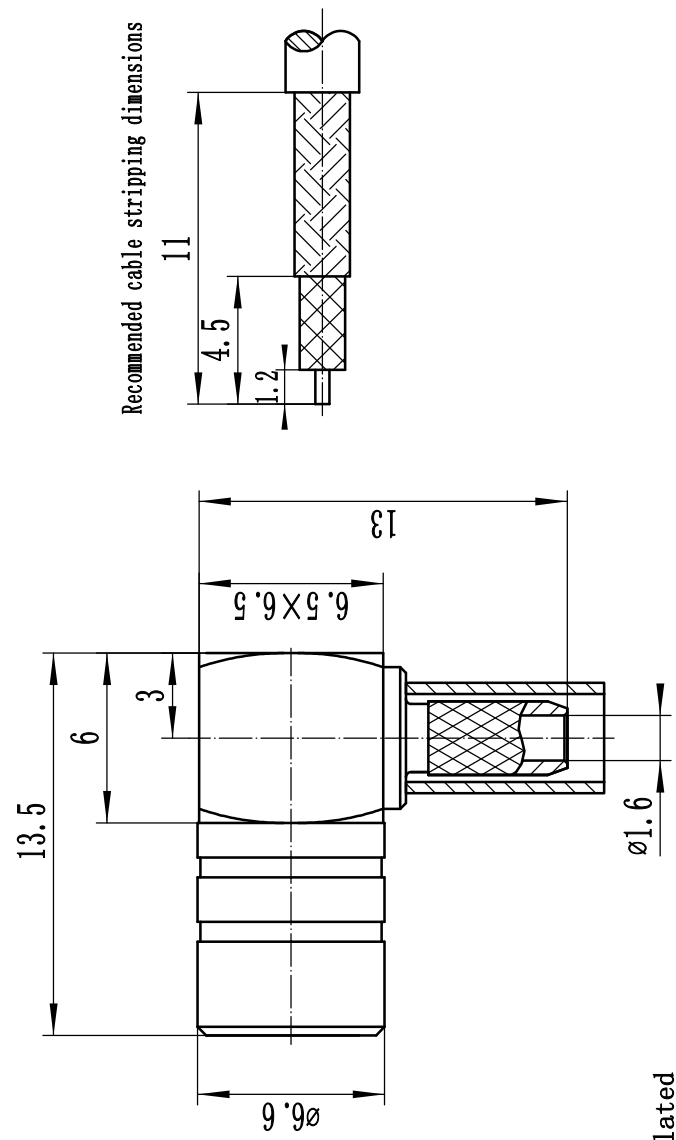


This document contains proprietary information and such information may not be disclosed to others for any purposes, not used for sales/marketing/procurement purposes without written permission

- 1 Electrical
 - 1.1 Impedence 50 Ω
 - 1.2 Frequency DC~4GHz
 - 1.3 VSWR 1.30: 1
- 2 Environmental&Mechanical
 - 2.1 Temperature range -45℃~125℃
 - 2.2 RoHs Compliant
 - 2.3 Durability >500 cycles
- 3 Materials&plating
 - 3.1 Body: Brass, Gold plated
 - 3.2 Insulator: Teflon
 - 3,3 Contact Pin: Beryllium-copper, Gold plated



- Notes:
- 1. ALL SPECIFICATIONS ARE SUBJECT TO CHANGE NOTICE AT ANY TIME
 - 2. CUSTOMER OUTLINE DRAWING FOR REFERENCE ONLY

DRAWN: T. Shihua 17/02/2022		TITLE	
ENGINEER: C. Tao 17/02/2022	RF Coaxial Connector		
APPROVED: W. Qiang 17/02/2022	SMB Female Right-angle for RG316 cable		
TOLERANCES UNLESS OTHERWISE SPECIFIED	PART NO: SMB-KW3Y-1		
X ±0.50	SIZE: M4	SCALE: 4:1	SHEET: 1/1
.X ±0.20	DIMENSION IN MILLIMETERS (mm)		REV: YA
.XX ±0.10	www.rf-connector-china.com		4
ANGLES ±1°			