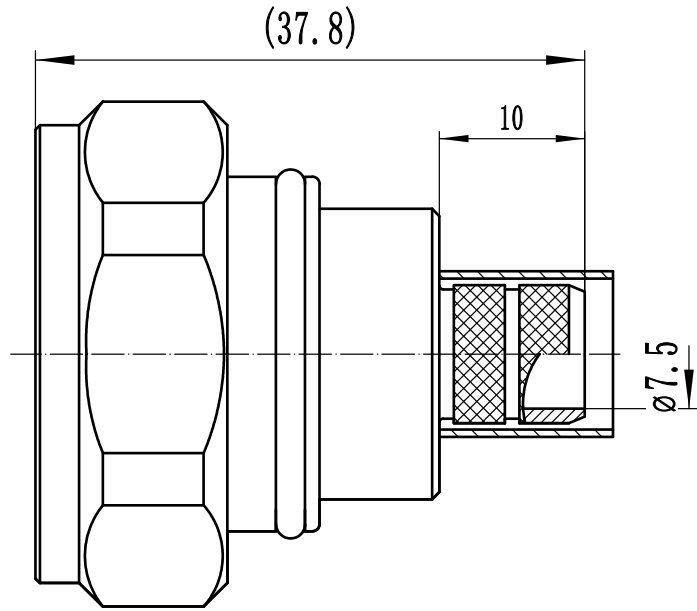
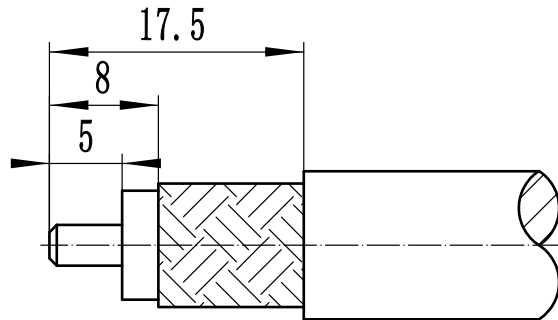


This document contains proprietary information and such information may not be disclosed to others for any purposes, not used for sales/marketing/procurement purposes without written permission

REV	DESCRIPTION OF REVISION	TRL NO.	BY	DATE	APPROVED
A	Initial Release	—	T. Shihua	25/03/2022	25/03/2022



Cable Stripping Dimension



1 Electrical

- 1.1 Impedance 50 Ω
- 1.2 Frequency DC~7.5GHz
- 1.3 Dielectric withstanding voltage 4KV at Sea Level
- 1.4 Insulation resistance: >10000M Ω
- 1.5 VSWR <1.25:1@3GHz

2 Environmental&Mechanical



- 2.1 Temperature range -55 $^{\circ}$ C~125 $^{\circ}$ C
- 2.2 RoHs Compliant Yes
- 2.3 Durability >500 cycles

3 Materials&Finish

- 3.1 Body: Brass, Suco-plated
- 3.2 Insulator: Teflon
- 3.3 Contact Pin: Brass, Gold plated
- 3.4 Coupling Nut: Brass, Suco-plated
- 3.5 Gasket: Silicone Rubber

Notes:

- 1. ALL SPECIFICATIONS ARE SUBJECT TO CHANGE NOTICE AT ANY TIME
- 2. CUSTOMER OUTLINE DRAWING FOR REFERENCE ONLY

DRAWN: T. Shihua 25/03/2022	TITLE RF Coaxial Connector	 www.rf-connector-china.com					
ENGINEER: C. Tao 25/03/2022							
APPROVED: W. Qiang 25/03/2022		 DIMENSION IN MILLIMETERS (mm)					
TOLERANCES UNLESS OTHERWISE SPECIFIED X ± 0.50 .X ± 0.20 .XX ± 0.10 ANGLES $\pm 1^{\circ}$		Din/L29 Male For LMR400 Cable Crimp PART NO: L29-J400Y-1		SIZE: A4	SCALE: 2:1	SHEET: 1/1	REV: VA