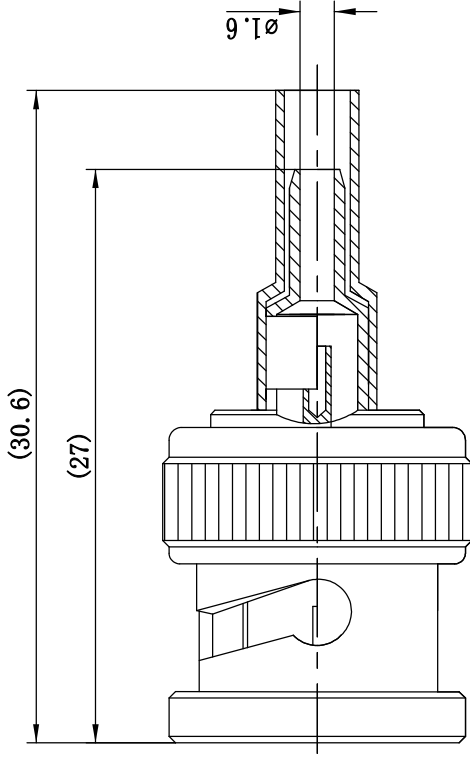


This document contains proprietary information and such information may not be disclosed to others for any purposes, not used for sales/marketing/procurement purposes without written permission

- 1 Electrical
 - 1.1 Frequency: 0~4GHz
 - 1.2 Impedance: 50 Ω
 - 1.3 Working voltage: ≤500V
 - 1.4 Insulation resistance: ≥5000MΩ
 - 1.5 Dielectric withstanding voltage: 1500V
 - 1.6 Center contact resistance ≤ 1.5MΩ
 - 1.7 Outer contact resistance ≤ 1MΩ
 - 1.8 VSWR: ≤1.15+0.05F
- 2 Environmental&Mechanical
 - 2.1 Temperature range -40°C~+125°C
 - 2.2 RoHS Compliant
 - 2.3 Durability >500 cycles
- 3 Material&Finish
 - 3.1 Inner Contact: brass, gold plated
 - 3.2 Outer Contact: Brass, nickel plated
 - 3.3 Insulators: Teflon



Notes:

- 1. ALL SPECIFICATIONS ARE SUBJECT TO CHANGE NOTICE AT ANY TIME
- 2. CUSTOMER OUTLINE DRAWING FOR REFERENCE ONLY

REV	DESCRIPTION OF REVISION	BY	DATE	APPROVED
A	Initial Release	T.Haiyuu	17/08/15	17/08/15

DRAWN: T.Haiyuu 17/08/15	TITLE: RF Coaxial Connector		www.terulilai.com	
ENGINEER: C.Tao 17/08/15	RF Coaxial Connector		www.terulilai.com	
APPROVED: H.Qiang 17/08/15	BNC male Right Angle Conn. for RG316 Cable Crimp Sky window		www.terulilai.com	
TOLERANCES UNLESS OTHERWISE SPECIFIED				
X	±0.50			
.X	±0.20			
.XX	±0.10			
ANGLES	±1°			
PART NO: BNC-3ACTA	SCALE: N/A	SHEET: 1/1	REV: A	