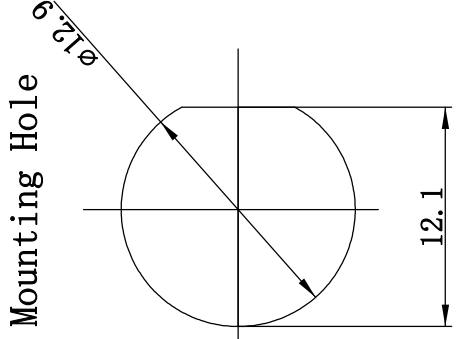
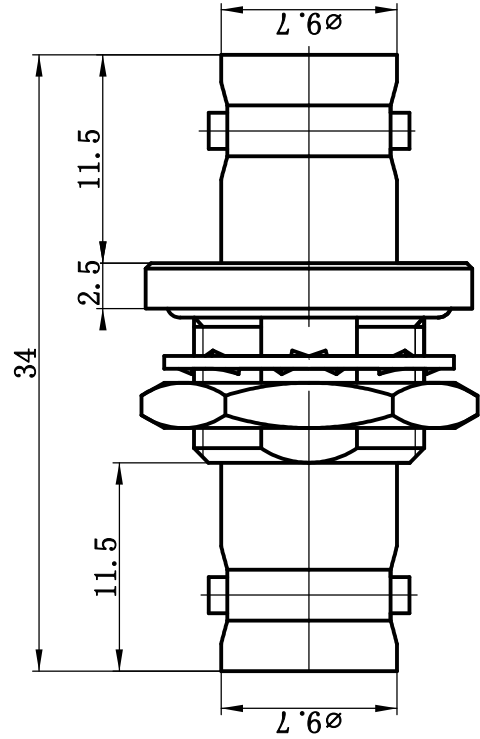


This document contains proprietary information and such information may not be disclosed to others for any purposes, not used for sales/marketing/procurement purposes without written permission

- 1 Electrical
 - 1.1 Impedence 75 Ω
 - 1.2 Frequency DC-2GHz
 - 1.3 Dielectric withstanding voltage 1000V (volts RMS)
 - 1.4 Center contact resistance ≤ 3MΩ
 - 1.5 Outer contact resistance ≤ 2MΩ
 - 1.6 Insulation resistance: ≥5000MΩ
- 2 Environmental&Mechanical
 - 2.1 Temperature range -45°C~125°C
 - 2.2 RoHs Compliant
 - 2.3 Durability >500 cycles
- 3 Materials&plating
 - 3.1 Body: Brass, Nickel plated
 - 3.2 Insulator: Teflon
 - 3.3 Contact Pin: Phosphor Bronze, Gold plated
 - 3.4 Coupling Nut: Brass, nickel plated
 - 3.5 Washer: Bronze, nickel plated
 - 3.6 Gasket: Silicone rubber (red color)



Notes:

- 1. ALL SPECIFICATIONS ARE SUBJECT TO CHANGE NOTICE AT ANY TIME
- 2. CUSTOMER OUTLINE DRAWING FOR REFERENCE ONLY

DRAWN: T. Shihua 09/07/15		TITLE: RF Adaptor	
ENGINEER: C. Tao 09/07/15		www.terui.com	
APPROVED: W. Qiang 09/07/15		DIMENSION IN MILLIMETERS (mm)	
TOLERANCES UNLESS OTHERWISE SPECIFIED		SIZE: A4	
.X ±0.50		SCALE: N/A	
.XX ±0.20		SHEET: 1/1	
ANGLES ±1°		REV: A	
PART NO: BNC-75KVM-F		REV: A	