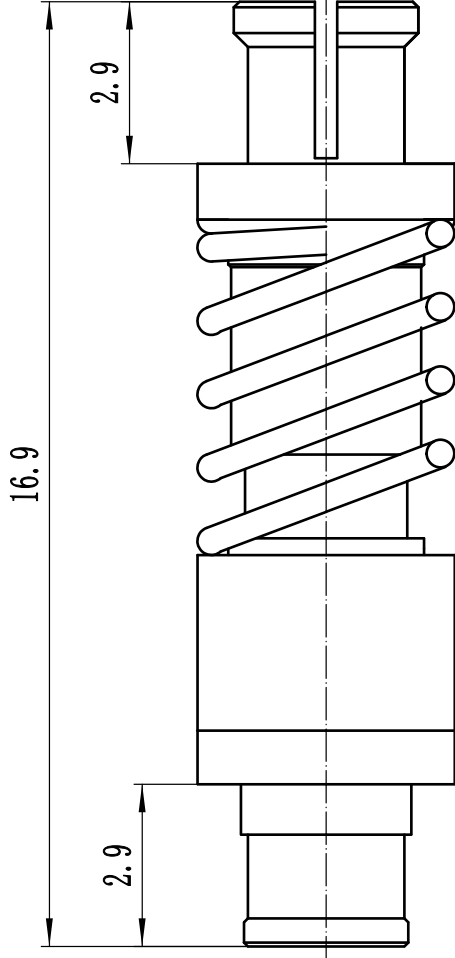


This document contains proprietary information and such information may not be disclosed to others for any purposes, not used for sales/marketing/procurement purposes without written permission

- 1 Electrical
 - 1.1 Impedance: 50 Ω
 - 1.2 Frequency: DC~18GHz
 - 1.3 VSWR: ≤1.30
- 2 Mechanical&Environmental
 - 2.1 Temperature range -45℃~+125℃
 - 2.2 Durability(matings) >500
 - 2.3 RoHS Compliant Yes
- 3 Material&Finish
 - 3.1 Pin contact: Beryllium-Copper, gold plated
 - 3.2 Body: Beryllium-Copper, gold plated
 - 3.3 Insulators: PTFE



Notes:

- 1. ALL SPECIFICATIONS ARE SUBJECT TO CHANGE NOTICE AT ANY TIME
- 2. CUSTOMER OUTLINE DRAWING FOR REFERENCE ONLY

REV	DESCRIPTION OF REVISION	TEL NO.	BY	DATE	APPROVED
A	Initial Release		T. Shihua	21/03/2022	21/03/2022

DRAWN: T. Shihua 21/03/2022		TITLE	
ENGINEER: C. Tao 21/03/2022		RF Coaxial Connector	
APPROVED: W. Qiang 21/03/2022		SMP (F) to SMP (F) Spring Load Adaptor	
TOLERANCES UNLESS OTHERWISE SPECIFIED		DIMENSION IN MILLIMETERS (mm)	
X	±0.50		
.X	±0.20		
.XX	±0.10		
ANGLES ±1°		SIZE: A4	SCALE: 12:1
PART NO: SMP-KK69		SHEET: 1/1	REV: VA



www.rf-connector-china.com