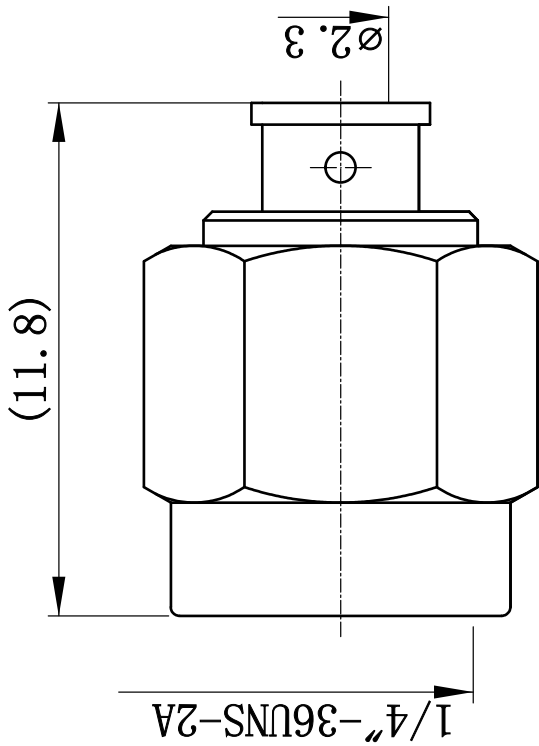
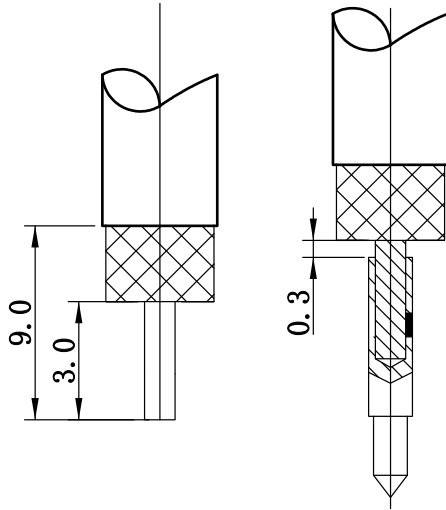


This document contains proprietary information and such information may not be disclosed to others for any purposes, not used for sales/marketing/procurement purposes without written permission



Recommended Cable Stripping Dimension



- Notes:
1. ALL SPECIFICATIONS ARE SUBJECT TO CHANGE NOTICE AT ANY TIME
  2. CUSTOMER OUTLINE DRAWING FOR REFERENCE ONLY

- 1 Electrical
  - 1.1 Impedance 50 Ω
  - 1.2 Frequency DC~18GHz
  - 1.6 VSWR ≤1.20@6GHz
- 2 Environmental&Mechanical
  - 2.1 Temperature range -45°C~125°C
  - 2.2 RoHs Compliant
  - 2.3 Durability >500 cycles
- 3 Materials&plating
  - 3.1 Body: Brass, Gold plated
  - 3.2 Insulator: Teflon
  - 3.3 Contact Pin: Brass Gold plated
  - 3.4 Couplung Nut: Stainless Steel, Passivated

REV	DESCRIPTION OF REVISION	ECN NO.	BY	DATE	APPROVED
A	Initial Release		T. Shihua	12/7/13	12/7/13

DATE : T. Shihua 12/07/13 DRAWN : C. Tao 12/07/13 CHECKED : W. Qiang 12/07/13		<b>RF Coaxial Connector</b> SMA Male Conn. For .086/SS405 Cable		 www.rf-connector-china.com	
TOLERANCES UNLESS OTHERWISE SPECIFIED X ±0.80 .X ±0.20 .XX ±0.10 ANGLES ±1°		DIMENSION IN MILLIMETERS (mm)			
DATE	REV	REV	DATE	REV	DATE
		A4	N/A	1/1	A