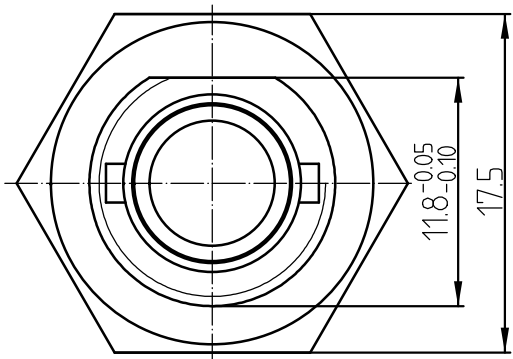
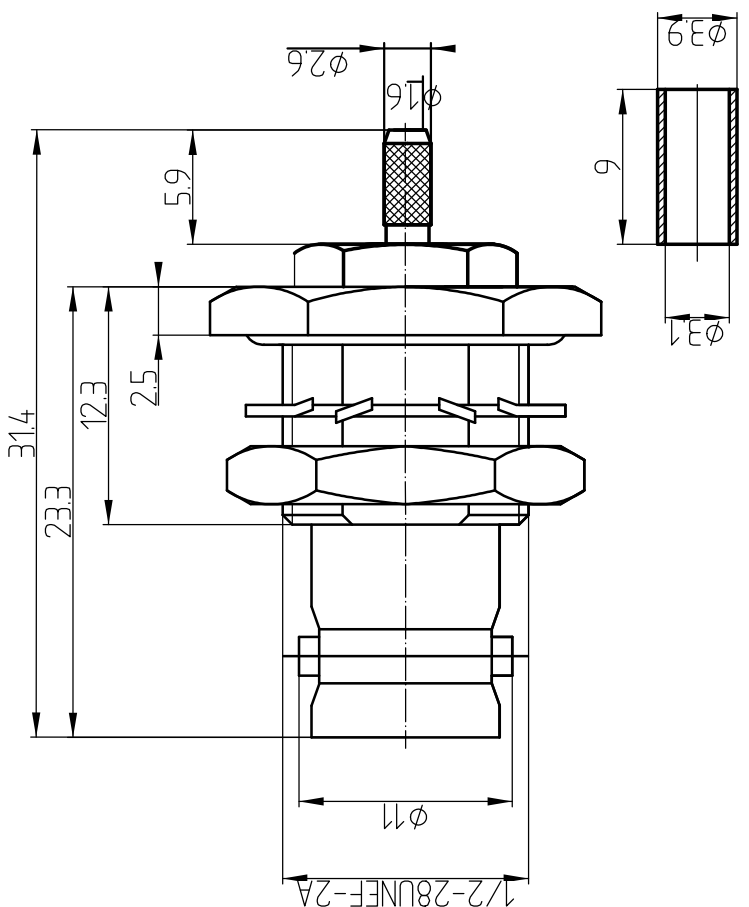


This document contains proprietary information and such information may not be disclosed to others for any purposes, not used for sales/marketing/procurement purposes without written permission



- 1 Electrical
- 1.1 Impedance 50 Ω
 - 1.2 Frequency DC~3GHz
 - 1.3 Dielectric withstanding voltage 1500V(volts RMS)
 - 1.4 Center contact resistance ≤ 15MΩ
 - 1.5 Outer contact resistance ≤ 0.2MΩ
 - 1.6 Insulation resistance: ≥5000MΩ

- 2 Environmental&Mechanical
- 2.1 Temperature range -40℃~+70℃
 - 2.2 RoHS Compliant
 - 2.3 Durability >500 cycles

- 3 Materials&plating
- 3.1 Body: Brass, Nickel plated
 - 3.2 Insulator: Teflon
 - 3.3 Contact Pin: Bronze Gold plated
 - 3.4 Nut: Brass, Nickel plated
 - 3.5 Gasket: Silicon Rubber (red color)
 - 3.6 Washer: Brass, Nickel plated

Notes:
 1. ALL SPECIFICATIONS ARE SUBJECT TO CHANGE NOTICE AT ANY TIME
 2. CUSTOMER OUTLINE DRAWING FOR REFERENCE ONLY

DRAWN: T.Haiyun 21/05/08		TITLE:	
ENGINEER: C.Tao 21/05/08		RF Coaxial Connector	
APPROVED: W.Qiang 21/05/08		BNC Female B/H Conn. for RG316 Cable	
TOLERANCES UNLESS OTHERWISE SPECIFIED		SCALE: N/A	
X ±0.20	XX ±0.10	SIZE: A4	SHEET: 1/1
ANGLES ±1°			REV: A
PART NO: BNC-KY3CY-F		DIMENSION IN MILLIMETERS (mm)	
www.rf-connector-china.com		www.rf-connector-china.com	