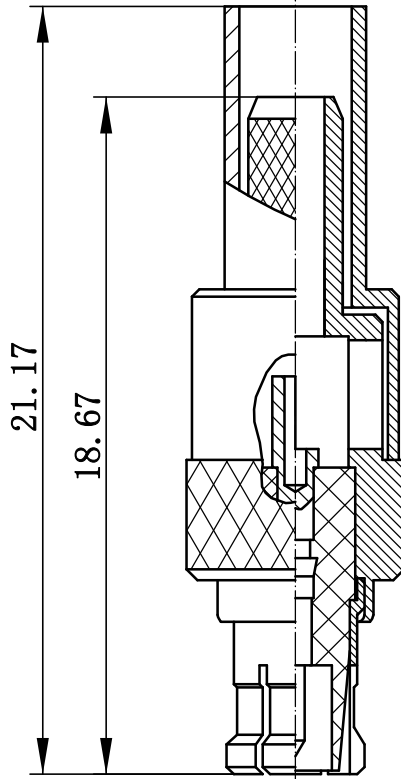
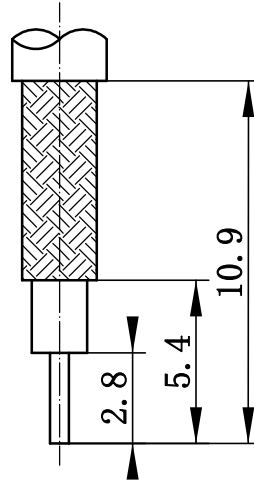


This document contains proprietary information and such information may not be disclosed to others for any purposes, not used for sales/marketing/procurement purposes without written permission

- 1 Electrical
 - 1.1 Impedence 50 Ω
 - 1.2 Frequency DC-3GHz
 - 1.3 Dielectric withstanding voltage 750V (volts RMS)
 - 1.4 Center contact resistance ≤ 5M Ω
 - 1.5 Outer contact resistance ≤ 2.5M Ω
 - 1.6 Insulation resistance: ≥ 1000M Ω
- 2 Environmental&Mechanical
 - 2.1 Temperature range -45°C ~ 125°C
 - 2.2 RoHS Compliant
 - 2.3 Durability >500 cycles
- 3 Materials&Finish
 - 3.1 Body: Brass, Gold plated
 - 3.2 Insulator: Teflon
 - 3.3 Contact Pin: Brass, gold plated
 - 3.4 Contact spring: Beryllium copper, gold plated



Cable Stripping Dimension



Notes:

- 1. ALL SPECIFICATIONS ARE SUBJECT TO CHANGE NOTICE AT ANY TIME
- 2. CUSTOMER OUTLINE DRAWING FOR REFERENCE ONLY

DRAWN: T. Shihua 12/07/06	TITLE:
ENGINEER: C. Tao 12/07/06	RF Coaxial Connector
APPROVED: W. Qiang 12/07/06	MCX male Str. Conn.
TOLERANCES UNLESS OTHERWISE SPECIFIED	For RG316/RG174 cable
.X ±0.50	
.XX ±0.10	
ANGLES ±1°	

REV	DESCRIPTION OF REVISION	ECN NO.	BY	DATE	APPROVED
A	Initial Release		T. Shihua	12/7/06	12/7/06

QPL www.terujial.com

DIMENSION IN MILLIMETERS (mm)

SIZE: A4 SCALE: N/A SHEET: 1/1 REV: A