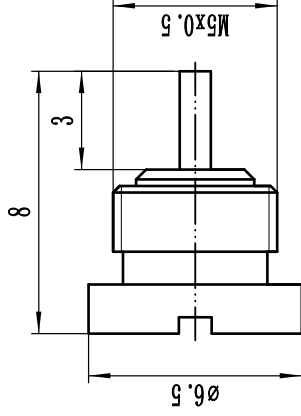


This document contains proprietary information and such information may not be disclosed to others for any purposes, not used for sales/marketing/procurement purposes without written permission

- 1 Electrical
 - 1.1 Impedance 50 Ω
 - 1.2 Frequency DC~6 GHz
 - 1.3 Dielectric withstanding voltage 750V (volts RMS)
 - 1.4 Center contact resistance ≤ 5mΩ
 - 1.5 Outer contact resistance ≤ 2.5mΩ
 - 1.6 Insulation resistance: ≥1000MΩ
 - 1.7 VSWR 1.30:1

- 2 Environmental/Mechanical
 - 2.1 Temperature range -45°C~125°C
 - 2.2 RoHS Compliant
 - 2.3 Durability >500 cycles

- 3 Material/Finish
 - 3.1 Body: Brass, Gold plated
 - 3.2 Insulator: Teflon
 - 3.3 Contact Pin: Beryllium-Copper, Gold plated



REV	DESCRIPTION OF REVISION	TEL NO.	BY	DATE	APPROVED
A	Initial Release		T. Shihua	04/03/2022	04/03/2022

Notes:

1. ALL SPECIFICATIONS ARE SUBJECT TO CHANGE NOTICE AT ANY TIME
2. CUSTOMER OUTLINE DRAWING FOR REFERENCE ONLY

DRAWN:	T. Shihua 26/05/2022
ENGINEER:	C. Tao 26/05/2022
APPROVED:	W. Qi tang 26/05/2022
TOLERANCES UNLESS OTHERWISE SPECIFIED	
X	±0.50
.X	±0.20
.XX	±0.10
ANGLES	±1°

TITLE	RF Coaxial Connector
PART NO:	MCX-KY-7
SIZE:	A4
SCALE:	4.5:1
SHEET:	1/1
REV:	VA



DIMENSION IN MILLIMETERS (mm)

A

B

A

B