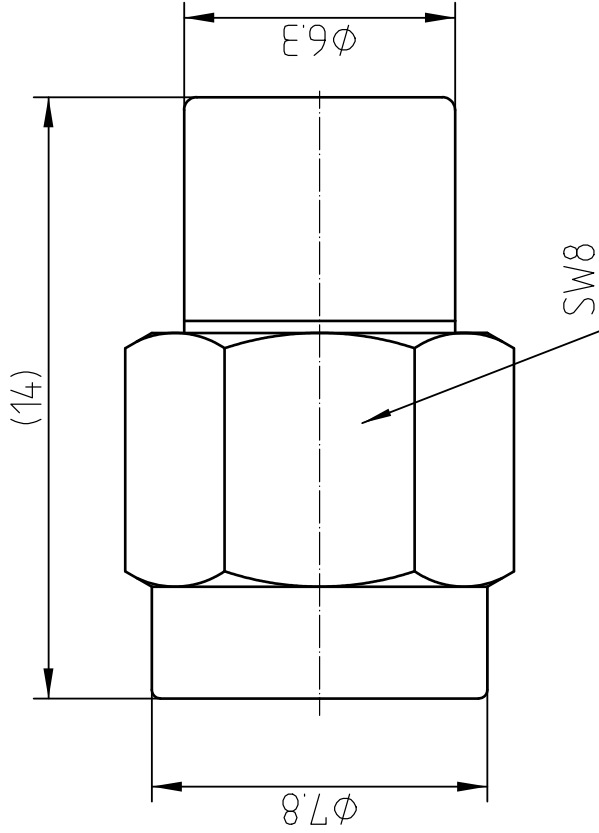


This document contains proprietary information and such information may not be disclosed to others for any purposes, not used for sales/marketing/procurement purposes without written permission



1 Electrical

- 1.1 Impedance 50 Ω
- 1.2 Frequency DC ~ 6GHz
- 1.3 VSWR 1.20:1

2 Environmental & Mechanical

- 2.1 Temperature range -40 $^{\circ}$ C ~ +125 $^{\circ}$ C
- 2.2 RoHS Compliant
- 2.3 Durability >500 cycles

3 Materials & plating

- 3.1 Body: Brass; gold plated
- 3.2 Insulator: Teflon
- 3.3 Contact Pin: Bronze, gold plated
- 3.4 Nut: Brass; gold plated

REV	DESCRIPTION OF REVISION	ECN NO.	BY	DATE	APPROVED
A	Initial Release		T. Haiyuu	23/5/14	23/5/14

Notes:

- 1. ALL SPECIFICATIONS ARE SUBJECT TO CHANGE NOTICE AT ANY TIME
- 2. CUSTOMER OUTLINE DRAWING FOR REFERENCE ONLY

DRAWN : T. Haiyuu 25/5/14
ENGINEER : C. Tao 25/5/14
APPROVED : W. Qiang 25/5/14
TOLERANCES UNLESS OTHERWISE SPECIFIED
X ±0.50
.X ±0.20
.XX ±0.10
ANGLES *°

TITLE: RF TERMINATION	
SMA Male Conn.	Termination 1W
PART NO: SMA-50JRB	

		www.ttl-rf.com	
		DIMENSION IN MILLIMETERS (mm)	
SIZE: A4	SCALE: N/A	SHEET: 1/1	REV: A