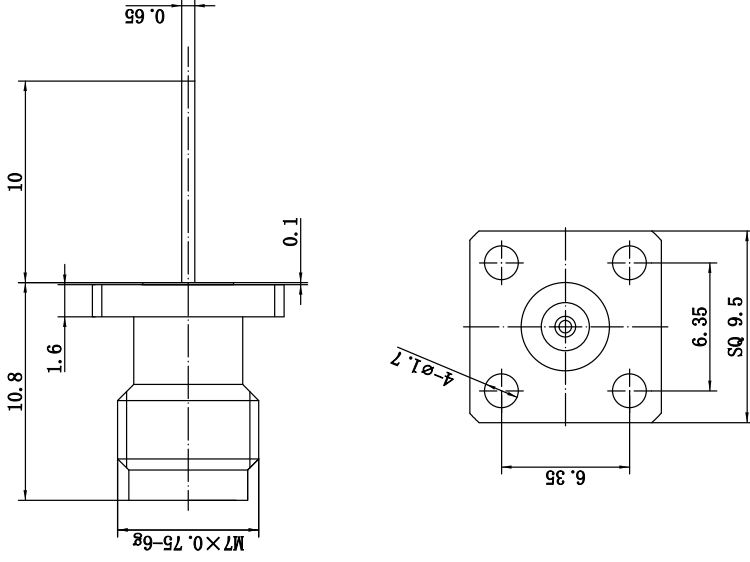




This document contains proprietary information and such information may not be disclosed to others for any purposes, not used for sales/marketing/procurement purposes without written permission

- 1 Electrical
 - 1.1 Impedance: 50 Ω
 - 1.2 Frequency: DC-50GHz
 - 1.3 VSWR: ≤1.30
- 2 Mechanical&Environmental
 - 2.1 Temperature range -55° C ~+165° C
 - 2.2 Durability(matings) >500
 - 2.3 RoHs Compliant Yes
- 3 Material&Finish
 - 3.1 Pin contact: Beryllium-Copper, gold plated
 - 3.2 Body: Stainless Steel (SU303), Passivated
 - 3.3 Insulators: PEI
- 4 Interface Standards
 - 4.1 2.4 IEEE STD 287-2007



Notes:
 1. ALL SPECIFICATIONS ARE SUBJECT TO CHANGE NOTICE AT ANY TIME
 2. CUSTOMER OUTLINE DRAWING FOR REFERENCE ONLY

DATE : T. Shihua 1/8/14	TITLE: Precision RF Connector		 www.teruilia.com
DESIGNER : C. Tao 1/8/14	2.4 Female Flange Connector Terminal		
APPROVER : W. Qiang 1/8/14	DIMENSION IN MILLIMETERS (mm)		 DIMENSION IN MILLIMETERS (mm)
TOLERANCES UNLESS OTHERWISE SPECIFIED	X ±0.50 .X ±0.20 .XX ±0.10 ANGLES ±1°		
DATE: A4 SIZE: N/A UNIT: 1/1 SHEET: A			