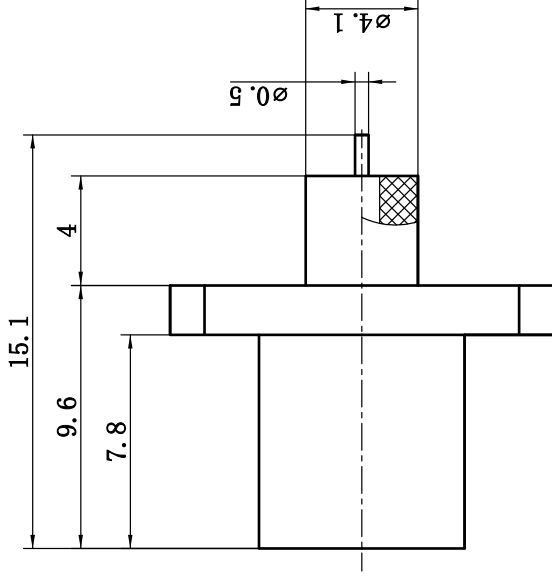
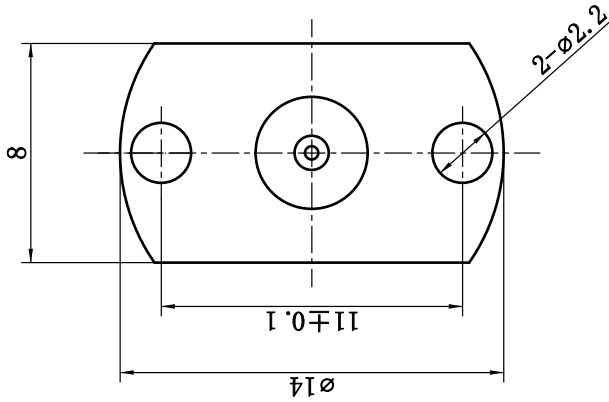


This document contains proprietary information and such information may not be disclosed to others for any purposes, not used for sales/marketing/procurement purposes without written permission



1 Electrical

- 1.1 Impedance 50Ω
- 1.2 Frequency DC~18GHz
- 1.3 Dielectric withstanding voltage 750V(rms)
- 1.4 Center contact resistance ≤3 MΩ
- 1.5 Outer contact resistance ≤2 MΩ
- 1.6 Insulation resistance: ≥5000 MΩ
- 1.7 VSWR ≤1.2@6G

2 Material&Finish

- 2.1 Body: Brass, Gold Plated
- 2.2 Insulator: Teflon
- 2.3 Center Pin: Beryllium-copper, Gold Plated

Notes:

- 1. ALL SPECIFICATIONS ARE SUBJECT TO CHANGE NOTICE AT ANY TIME
- 2. CUSTOMER OUTLINE DRAWING FOR REFERENCE ONLY

REV	DESCRIPTION OF REVISION	ECN NO.	BY	DATE	APPROVED
A	Initial Release		T. Shihua	01/07/16	01/07/16

DRAWN : T. Shihua 01/07/16 CHECKED : C. Rao 01/07/16 APPROVED : W. Qiang 01/07/16		TITLE: RF Coaxial Connector BMA Female Flange Conn. For Terminal		www.te r u l a i . c o m	
TOLERANCES UNLESS OTHERWISE SPECIFIED X ±0.50 .X ±0.20 .XX ±0.10 ANGLES ±1°		DIMENSION IN MILLIMETERS (mm)		1/1	
BMA-50K.F.D.4.1		A4		A	