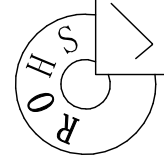
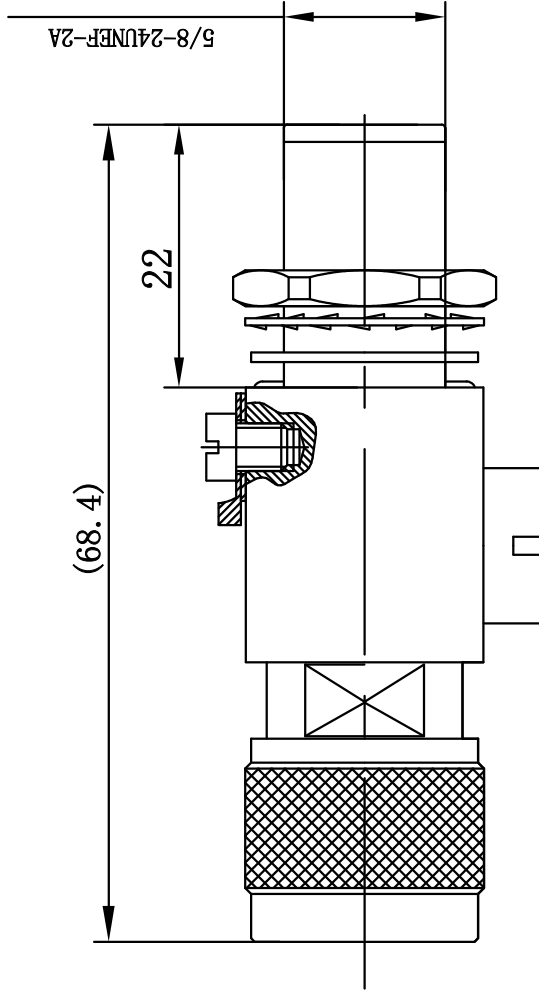


This document contains proprietary information and such information may not be disclosed to others for any purposes, not used for sales/marketing/procurement purposes without written permission

- 1 Electrical
 - 1.1 Impedance 50 Ω
 - 1.2 Insulation resistance: ≥10000MΩ
 - 1.3 Frequency DC-6G
 - 1.4 VSWR ≤ 1.3
 - 1.5 Insertion Loss ≤ 0.4dB
 - 1.6 Rated Power 200W
 - 1.7 Initial Discharge Voltage 230V
 - 1.8 Peak Discharge Current 10KA
- 2 Environmental
 - 2.1 Temperature range -45°C~125°C
 - 2.2 RoHS Compliant
- 3 Materials&Finish
 - 3.1 Body: Brass, Nickel plated
 - 3.2 Insulator: Teflon
 - 3.3 Contact Pin: Bronze, gold plated
 - 3.4 Coupling Nut: Brass, Nickel plated
 - 3.5 Gasket: Silicon rubber (red color)
 - 3.6 C-ring: Phosphor bronze, nickel plated



DATE	T. Haiyuan 17/3/13
DESIGNED BY	C. Tao 17/3/13
APPROVED BY	W. Qiang 17/3/13
TOLERANCES UNLESS OTHERWISE SPECIFIED	
X	±0.50
.X	±0.20
.XX	±0.10
ANGLES	±1°

TITLE:	RF Surge Arrestor
DESCRIPTION:	N male to Female Bulkhead Surge Arrestor
DATE	N - J K Y P
REV	
DATE	
BY	A4
DATE	N/A
BY	1/1
DATE	

DIMENSION IN MILLIMETERS (mm)	
www.haichuan.com	

- Notes:
- 1. ALL SPECIFICATIONS ARE SUBJECT TO CHANGE NOTICE AT ANY TIME
 - 2. CUSTOMER OUTLINE DRAWING FOR REFERENCE ONLY