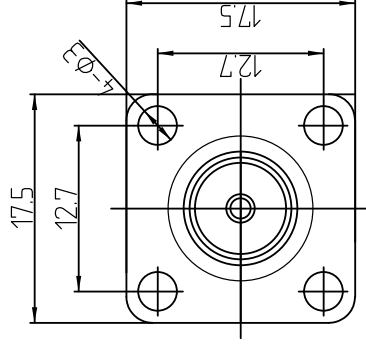
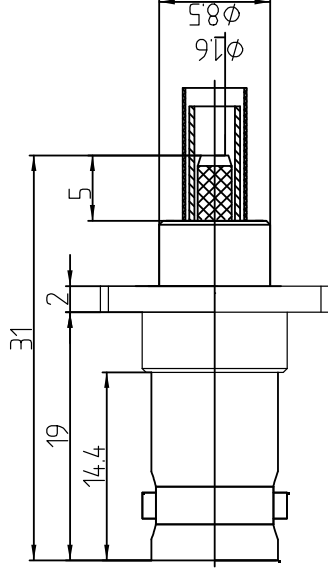


This document contains proprietary information and such information may not be disclosed to others for any purposes, not used for sales/marketing/procurement purposes without written permission

- 1 Electrical
 - 1.1 Impedence 50Ω
 - 1.2 Frequency DC-4GHz
 - 1.3 Dielectric withstanding voltage $1000V(\text{volts RMS})$
 - 1.4 Center contact resistance $\leq 3M \Omega$
 - 1.5 Outer contact resistance $\leq 2M \Omega$
 - 1.6 Insulation resistance: $\geq 5000M \Omega$

- 2 Environmental&Mechanical
 - 2.1 Temperature range $-65^{\circ}\text{c} \sim 165^{\circ}\text{c}$
 - 2.2 RoHs Compliant
 - 2.3 Durability >500 cycles

- 3 Materials&plating (Micro-inch)
 - 3.1 Body: Brass, Nickel plated
 - 3.2 Insulator: Teflon
 - 3.3 Contact Pin: Phosphor Bronze, Gold plated



REV	DESCRIPTION OF REVISION	ECN NO.	BY	DATE	APPROVED
A	Initial Release		T. Shihua	02/08/13	02/08/13

Notes:

1. ALL SPECIFICATIONS ARE SUBJECT TO CHANGE NOTICE AT ANY TIME
2. CUSTOMER OUTLINE DRAWING FOR REFERENCE ONLY

RAW : T. Shihua 02/08/13

ENGINEER : C. Tao 02/08/13

APPROVED : W. Qiang 02/08/13

TOLERANCES UNLESS OTHERWISE SPECIFIED
 X ± 0.50
 .X ± 0.20
 .XX ± 0.10
 ANGLES $\pm 1^{\circ}$

TITLE:

RF Connector

BNC Female Connector

RF Connector
 BNC Female Connector
 Cable Conn. For



DIMENSION IN MILLIMETERS (mm)

SIZE: A4 SCALE: N/A SHEET: 1/1 REV: A